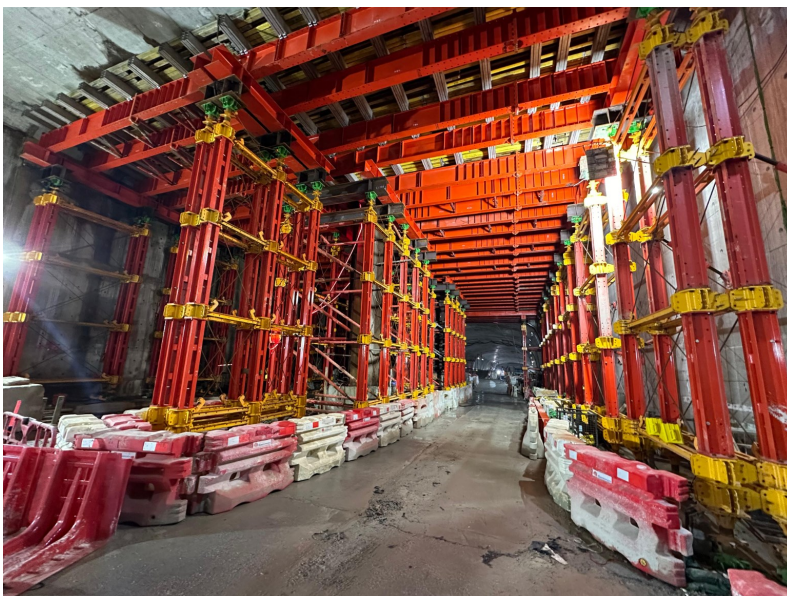


PERI Greater China Product Portfolio & Handbook

2024 - Version 1





Important notes

All current safety regulations and guidelines must be observed.

The photos shown in this brochure feature construction sites in progress. For this reason, safety and anchor details in particular cannot always be considered as conclusive or final. These are subject to the risk assessment carried out by the contractor.

In addition, computer graphics are used which are to be understood as system representations. For ensuring a better understanding, these and the detailed illustration shown have been partially reduced to certain aspects. The safety installations which have possibly not been shown in these detailed descriptions must nevertheless be available.

Safety instructions and load specifications are to be strictly observed at all times. Separate structural calculations are required in case of changes and deviations.

The information contained herein is subject to technical changes in the interests of progress. Errors and typographical mistakes are reserved.

PERI (Hong Kong) Limited
19C&D, Tower B, Billion Centre
1 Wang Kwong Road
Kowloon Bay
Hong Kong
Tel: +852 3102 7900

PERI Taiwan
Unified No. 90277323
10F-1, No.163
Sec. 1, Keelung Rd, Xinyi Dist.
Taipei City 110
Tel: +886 2 3765 1211

PERI Trading (Shanghai)
Room 1223, Main Building
No. 580 West Nan Jing Road
Jing An District, Shanghai
200041, PRC
Tel: +86 21 6032 2016

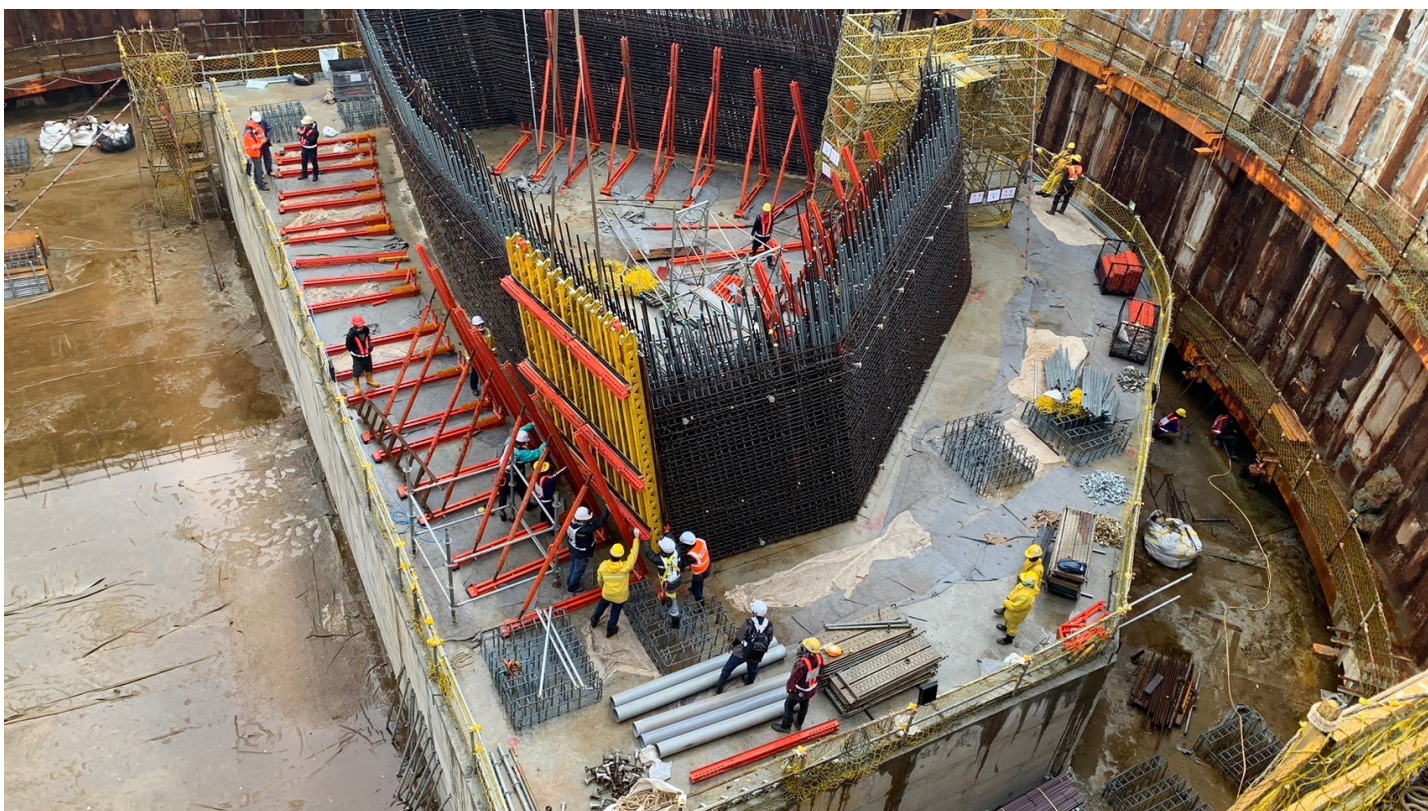
For the latest online
version of this brochure



Scan here

Contents

• About PERI	Page 3
• PERI Systems	
DUO	Page 6
VARIO VT20	Page 15
PS100	Page 18
HDS	Page 25
PORTAL BEAMS	Page 29
PERI-UP	Page 32
VARIOKIT	Page 41
GRIDFLEX	Page 49
• PERI Independent System Components	
Push-Pull Props	Page 53
Tubes & Couplers	Page 54
Tie Rods	Page 55
Plywood	Page 63
Bolts, Nuts & Pins	Page 64



About PERI

Our self-conception

A value-based and
Family-owned company

Providing the best service for our customers is the aspiration that drives us every working day. As a modern family business with a very special culture, we are now one of the leading companies in the field of formwork and scaffolding technology.

Naturally, this makes us extremely proud. Our unique company culture is the fertile basis for our economic success. This success was made possible because many people have done an outstanding job. The basis for this was mutual trust and the appreciation of each individual person.

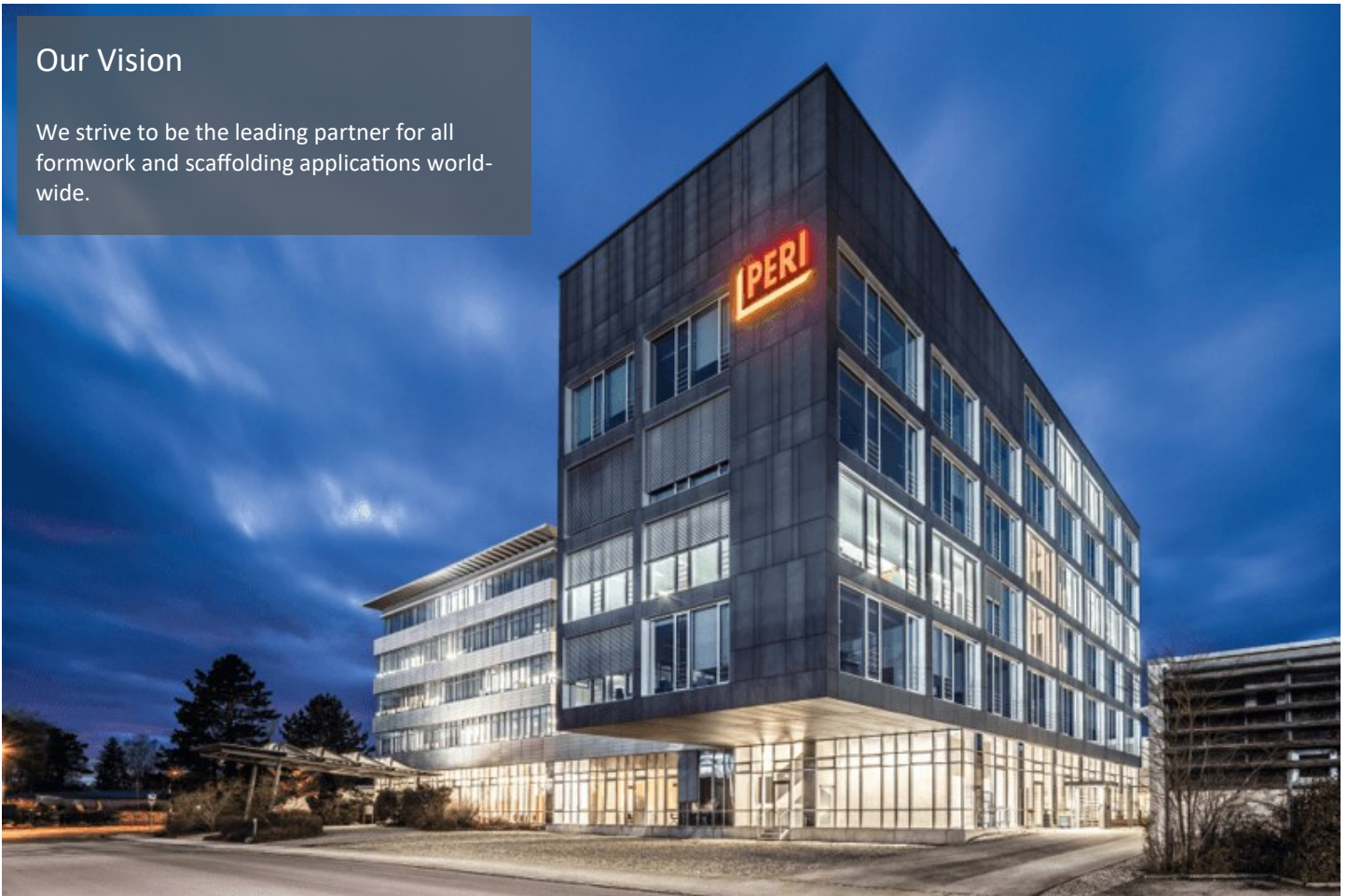
Success is something that cannot be taken for granted but has to be worked for every day anew. Our values and success factors, together with our clear strategy, form the basis and guidelines for us to continue writing further chapters of PERI's success story.

PERI was established in 1969 and for more than 50 years has been providing the best service for our cus-



Our Vision

We strive to be the leading partner for all formwork and scaffolding applications world-wide.



Our Mission

We make construction more efficient, faster and safer. Providing the best service to our customers is what drives us every day.

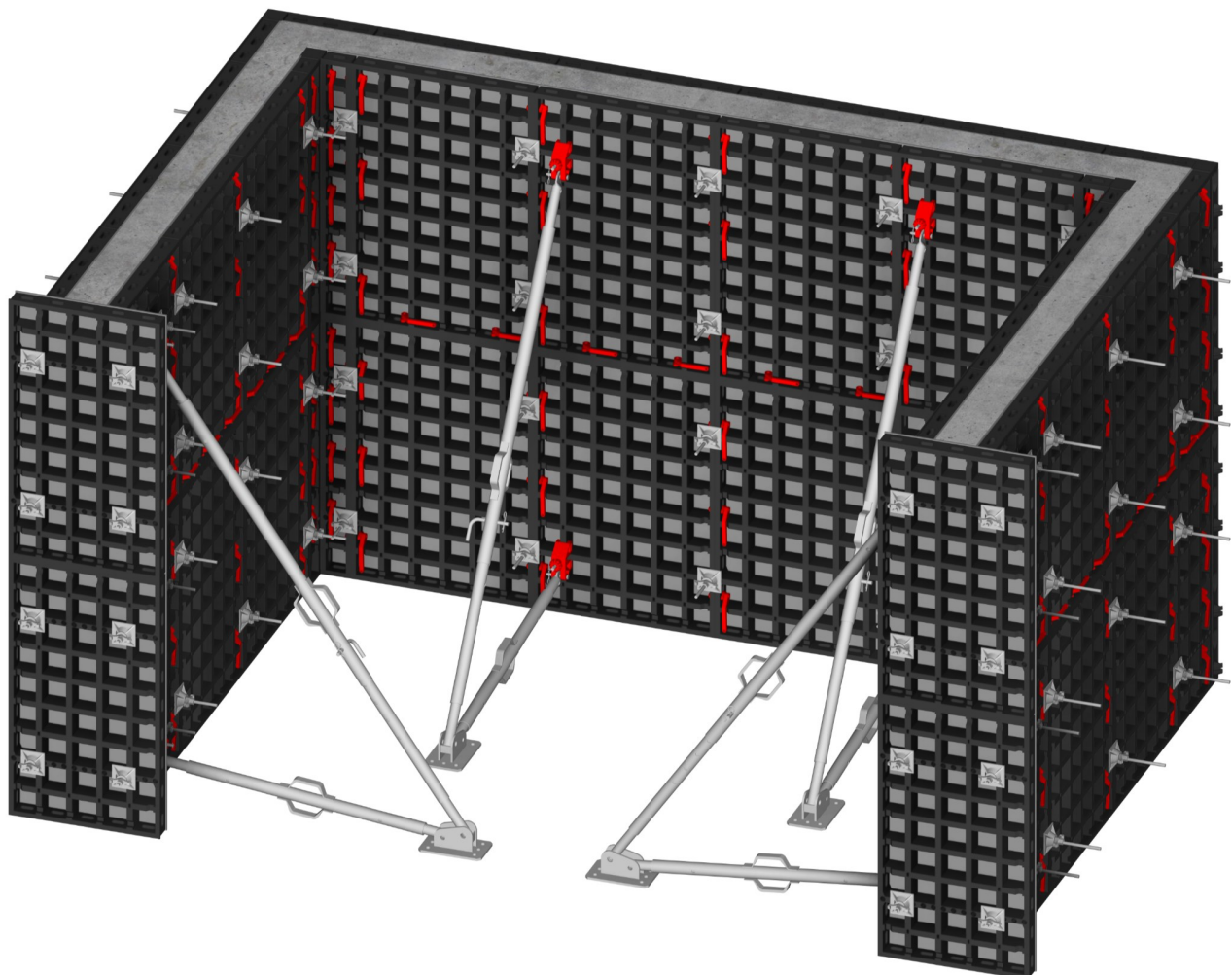
PERI Systems | DUO

Lightweight Universal Wall Formwork made of High-end Technopolymer



Explore in 3D

- Fully crane-independent system
- largest panel (135x90 cm) is only 24.9 kg.
- Easy and fast to assemble
- Durable (frame > 400 turnarounds, formlining > 100 turnarounds)
- Only one main connecting part - DUO coupler
- Permissible concrete pressure for walls: up to 50 kN/m²
- Columns up to 55x55 cm without intermediate tie-rods
- Formlining can be quickly replaced on site
- Universal: for walls, columns and slab
- Recyclable



PERI Systems | DUO



Hong Kong
SCL1122
DUO Single Sided Wall



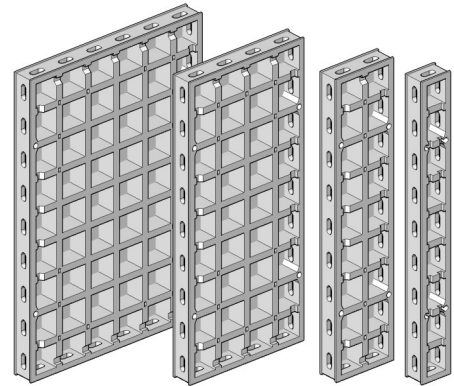
Shanghai
Lingang WWTP
DUO Wall Formwork

PERI Systems | DUO

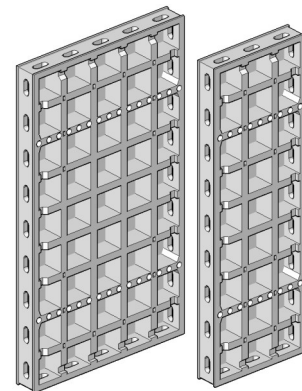


PERI Systems I DUO

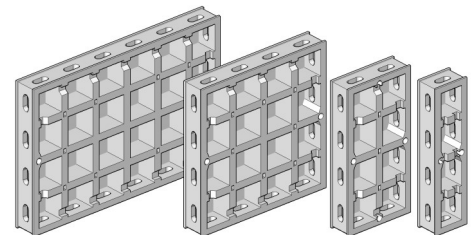
Article No.	Description	Weight (kg)
128280	Panel DP 135 x 90	24.90
128282	Panel DP 135 x 60	17.10
128284	Panel DP 135 x 30	9.37
128285	Panel DP 135 x 15	5.27



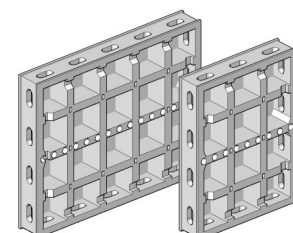
Article No.	Description	Weight (kg)
128281	Multi Panel DP 135 x 75	22.90
128283	Multi Panel DP 135 x 45	14.20



Article No.	Description	Weight (kg)
129837	Panel DP 60 x 90	11.80
129839	Panel DP 60 x 60	8.16
129841	Panel DP 60 x 30	4.50
129842	Panel DP 60 x 15	2.43

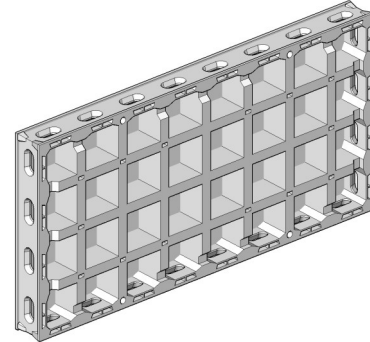


Article No.	Description	Weight (kg)
129838	Multi Panel DP 60 x 75	10.80
129840	Multi Panel DP 60 x 45	6.69

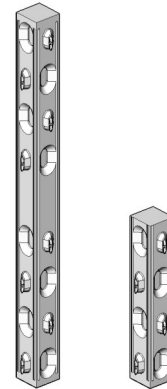


PERI Systems I DUO

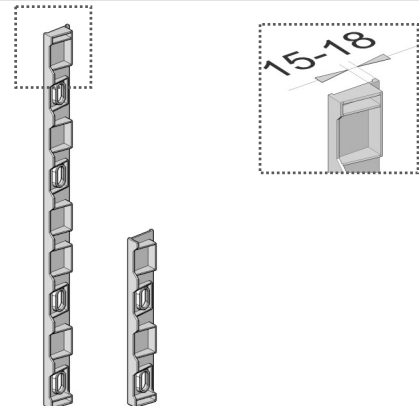
Article No.	Description	Weight (kg)
136096	Panel DP 120 x 60	15.40



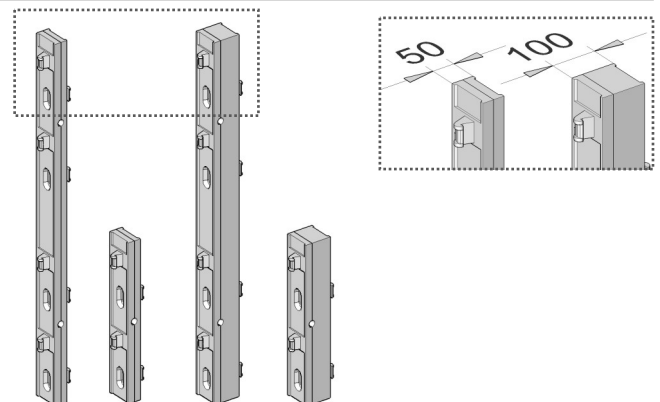
Article No.	Description	Weight (kg)
128286	Corner DC 135 x 10	5.11
129864	Corner DC 60 x 10	2.30



Article No.	Description	Weight (kg)
128245	Filler Support 18 DFS 135	1.39
128246	Filler Support 15 DFS 135	1.39
129889	Filler Support 18 DFS 60	1.14
129890	Filler Support 15 DFS 60	0.69



Article No.	Description	Weight (kg)
128287	Wall Thk. Comp. DWC 135 x 5	2.85
128292	Wall Thk. Comp. DWC 135 x 10	4.15
129879	Wall Thk. Comp. DWC 60 x 5	1.31
129884	Wall Thk. Comp. DWC 60 x 10	1.92



PERI Systems I DUO

Article No.	Description	Weight (kg)
128247	Coupler DUO	0.16

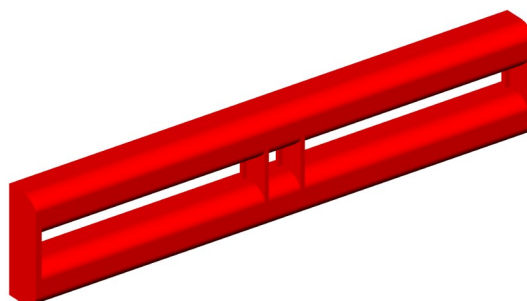


Basic Technical Information:

Permissible Tension: 5kN

Permissible Shear: 5kN

Article No.	Description	Weight (kg)
128255	Compensation Waler DUO 62	2.38



Basic Technical Information:

Permissible Bending moment: 1kNm

Article No.	Description	Weight (kg)
128293	Tube Holder DUO	0.50

For securing Compensation Waler DUO 62 or Scaffold Tube with dia. 48mm to DUO Panels.



Article No.	Description	Weight (kg)
128294	Brace Connector DUO	0.97

For connecting Push-Pull Props to DUO Panels.



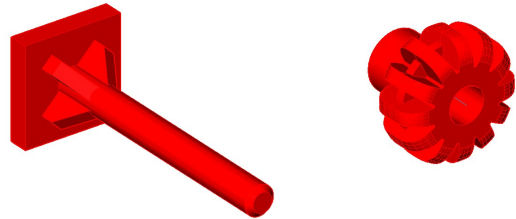
Basic Technical Information:

Permissible load capacity: 7kN

PERI Systems I DUO

Article No.	Description	Weight (kg)
128256	Coupling Tie DUO	0.07
128254	Grip DW15 DUO	0.08

Used for fastening wooden wall thickness compensators up to 50mm.

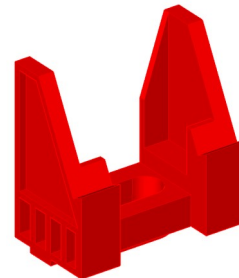


Basic Technical Information:

Permissible Tension: 4.5kN

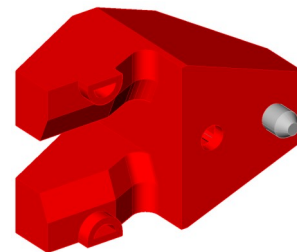
Article No.	Description	Weight (kg)
129811	Extension Support DES 18	0.37

Used for extension with 18mm plywood.
Maximum spacing: 600mm



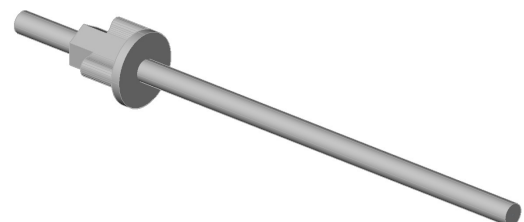
Article No.	Description	Weight (kg)
128295	Corner Connector DUO	1.04

Used with Multi Panel DUO for corner connections.



Article No.	Description	Weight (kg)
128265	Corner Tie DUO	0.87

Used with DW15 Counter Plate.



PERI Systems I DUO

Article No.	Description	Weight (kg)
128274	Plug D20mm DUO	0.50

Used for closing of unused tie holes on DUO Panels.

Sold in packs of 250pcs only.

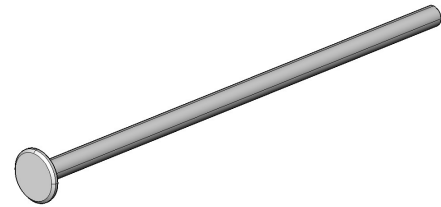


Article No.	Description	Weight (kg)
200801	DUO Panel Tie Connector	0.60

Used to connect timber or steel walers to the DUO Panel, through the tie hole locations.

To be used with DW15 Counterplate.

Length: 400mm

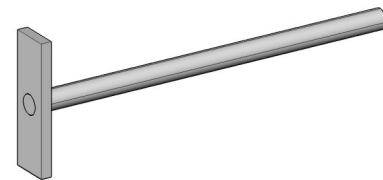


Article No.	Description	Weight (kg)
200093	DUO/SRU Connector	0.30

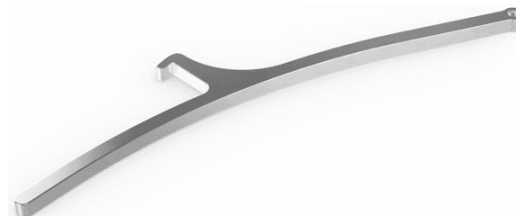
Used to connect timber or steel walers to the DUO Panel, through a Compensation Waler DUO 62 connection.

To be used with DW15 Counterplate.

Length: 275mm

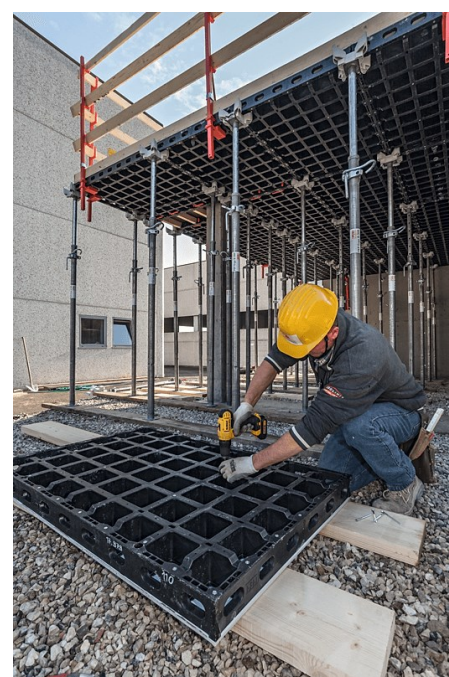
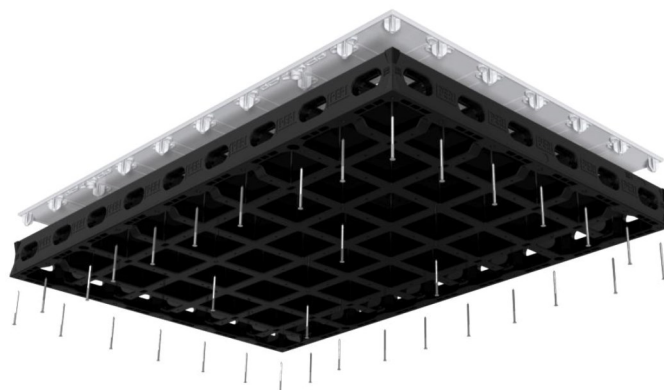


Article No.	Description	Weight (kg)
128278	Cleaning Device DUO	0.37
132440	Stripping Bar DUO	1.16



PERI Systems I DUO

Article No.	Description	Weight (kg)
128228	Formlining DP 135 x 90	7.07
128229	Multi Formlining DMP 135 x 75	6.04
128330	Formlining DP 135 x 60	4.87
128231	Multi Formlining DMP 135 x 45	3.58
128232	Formlining DP 135 x 30	2.46
128233	Formlining DP 135 x 15	1.25
129843	Formlining DP 60 x 90	3.30
129844	Multi Formlining DMP 60 x 75	2.70
129845	Formlining DP 60 x 60	2.18
129846	Multi Formlining DMP 60 x 45	1.60
129847	Formlining DP 60 x 30	1.09
129848	Formlining DP 60 x 15	0.56
136098	Formlining DP 120 x 60	4.28



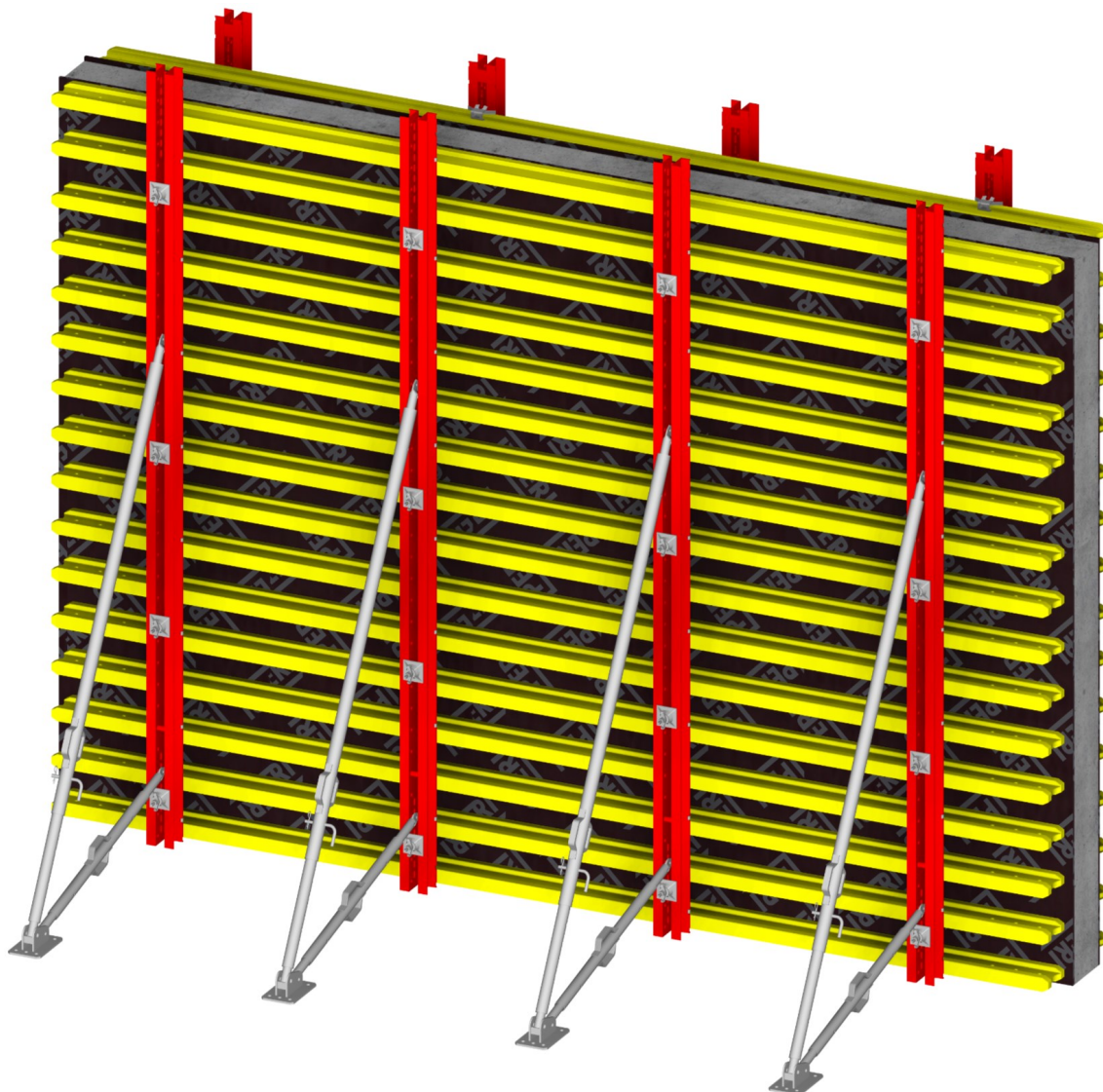
PERI Systems | VARIO VT20

The Variable Girder Wall Formwork System



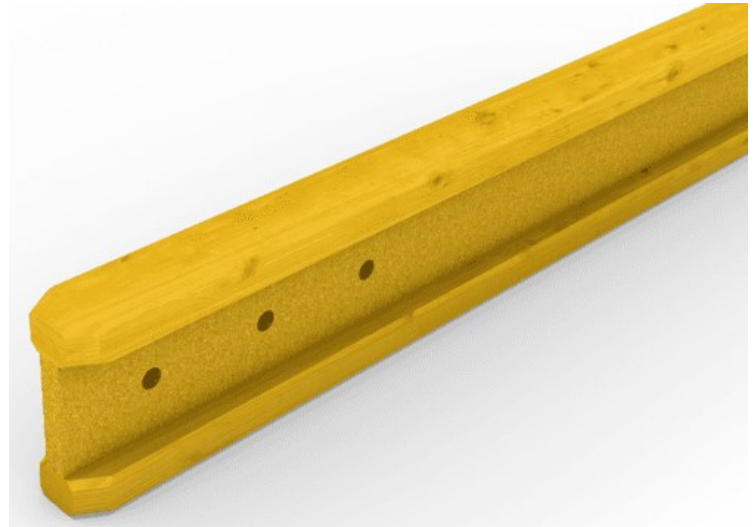
Explore in 3D

- Easy height and width adjustment
- Ultra-flexible, can be designed to suit different requirements
- Permissible concrete pressure of up to 100kN/m^2
- All rentable items, except for plywood and consumables
- Different types of wood finishes can be achieved
- Able to create large gang-forms for faster cycling on site
- Easy to align and plumb
- Very few parts



PERI Systems | VARIO VT20

Article No.	Description	Weight (kg)
074905	Girder VT20K 215	12.70
074910	Girder VT20K 245	14.45
074890	Girder VT20K 265	15.64
074920	Girder VT20K 290	17.11
074930	Girder VT20K 330	19.47
074940	Girder VT20K 360	21.24
074950	Girder VT20K 390	23.01
074960	Girder VT20K 450	26.55
074970	Girder VT20K 490	28.91
074980	Girder VT20K 590	34.81



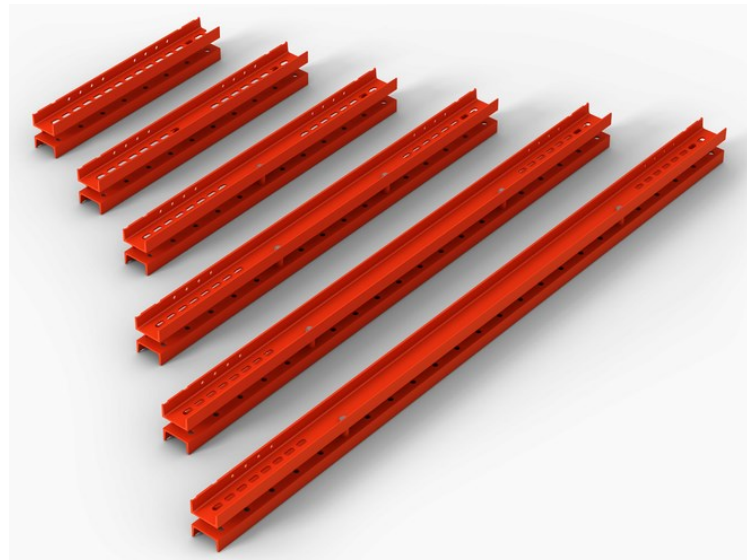
Basic Technical Information:

Permissible Bending moment: 5.0kNm

Permissible Shear Force: 11.0kN

Permissible Reaction Force: 22.0kN

Article No.	Description	Weight (kg)
103868	Steel Waler SRU 72	18.10
103871	Steel Waler SRU 97	24.20
103874	Steel Waler SRU 122	30.90
103877	Steel Waler SRU 147	38.10
103886	Steel Waler SRU 172	44.70
103889	Steel Waler SRU 197	52.00
103898	Steel Waler SRU 222	58.60
103892	Steel Waler SRU 247	65.60
103929	Steel Waler SRU 272	72.00
103903	Steel Waler SRU 297	81.00
103906	Steel Waler SRU 347	92.60
103915	Steel Waler SRU 397	106.00
103918	Steel Waler SRU 447	119.00
103922	Steel Waler SRU 497	135.00
103925	Steel Waler SRU 547	146.00
103928	Steel Waler SRU 597	159.00



Basic Technical Information:

Permissible Bending moment: 16.1/19.3kNm

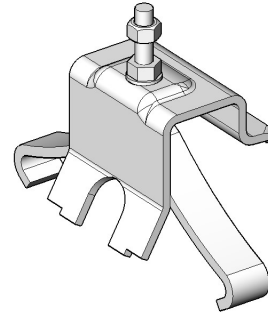
Permissible Shear Force: 70.0/114.0kN

Permissible Reaction Force: 397.0/444.0kN

PERI Systems | VARIO VT20

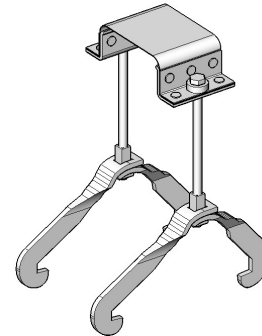
Article No.	Description	Weight (kg)
024880	Hook Strap HB for VT	0.52

Used to connect VT20 to SRU.
To be placed on alternating sides.

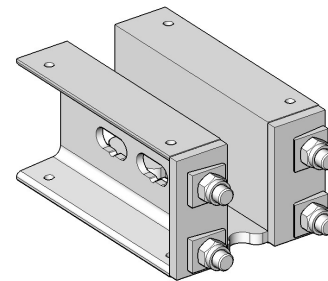


Article No.	Description	Weight (kg)
104931	Universal Hook Strap HBU 20	0.84

Used to connect VT20 to SRU only when its
not possible to install 024880 Hook Strap HB.



Article No.	Description	Weight (kg)
200235	Extension SRU	10.4



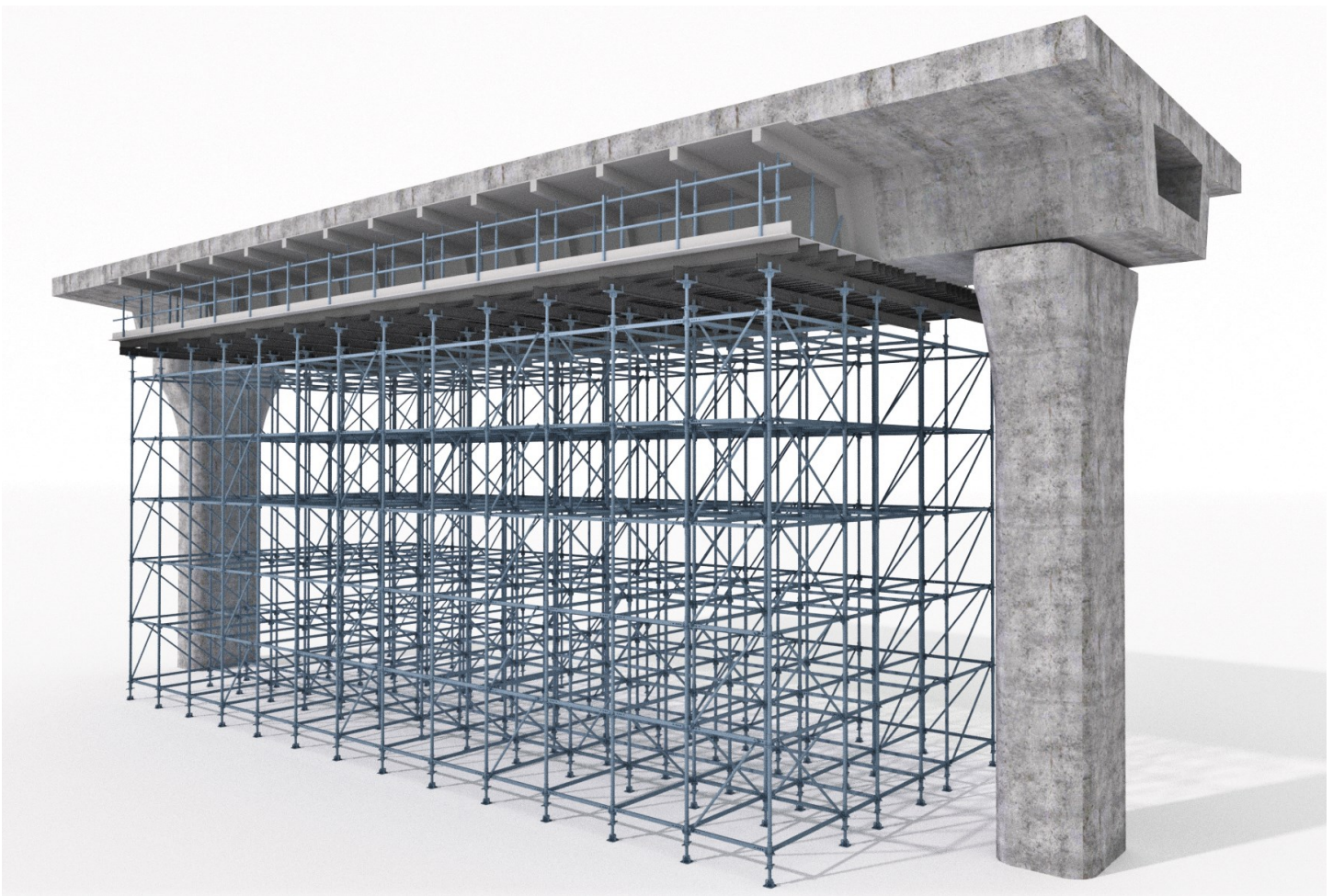
PERI Systems | PS100

Flexible Shoring System with a High Load-bearing Capacity

- Permissible leg load of up to 100kN
- Fast, easy and simple
- Built-in safety features
- Adaptive in plan view
- Unrivalled spindle extension (unbraced)



Explore in 3D



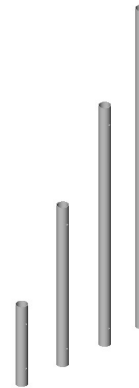
PERI Systems | PS100

Article No.	Description	Weight (kg)
200502	PS100 Vertical 500	2.73
200503	PS100 Vertical 1000	5.50
200504	PS100 Vertical 1500	8.25
201046	PS100 Vertical 2000	11.06

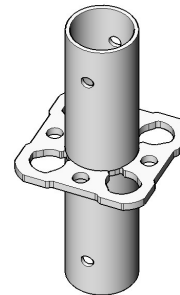
Basic Technical Information:

Permissible Vertical Load: 100kN (0.5, 1.0 & 1.5m only)

Permissible Vertical Load: 58.5kN (2.0m only)



Article No.	Description	Weight (kg)
200501	PS100 Connector	2.61

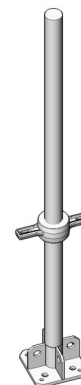


Article No.	Description	Weight (kg)
200534	PS100 Spindle-2	11.05

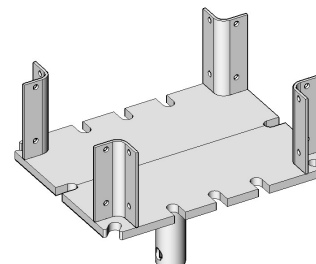
Basic Technical Information:

Max. extension 750mm (braced)

Max. extension 525mm (unbraced)

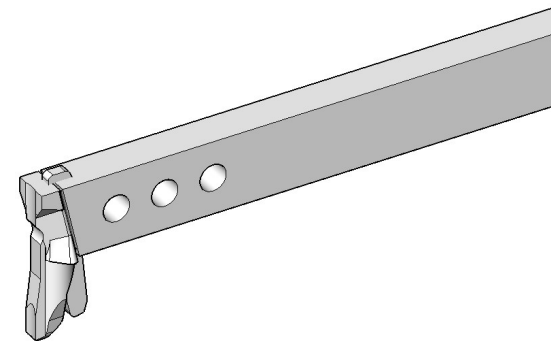
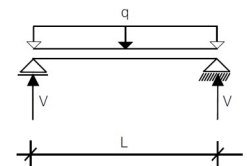
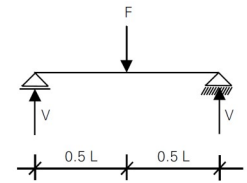


Article No.	Description	Weight (kg)
200511	PS100 Forkhead	7.01



PERI Systems | PS100

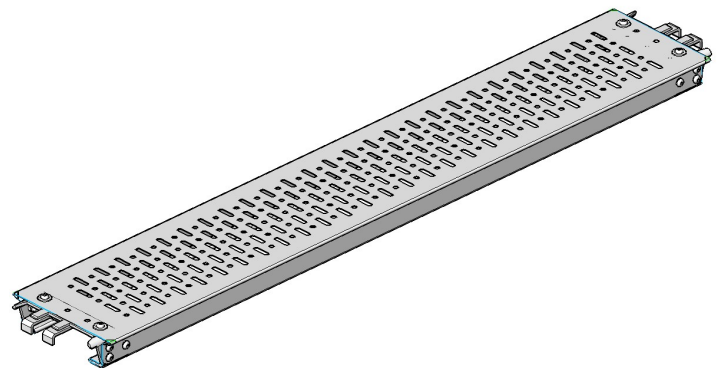
Article No.	Description	Weight (kg)	Permissible F (kN)	Permissible q (kN/m)
201288	PS100 Horizontal-2 250	1.45	12.20	52.00
201018	PS100 Horizontal-2 500	2.15	12.20	52.00
201198	PS100 Horizontal-2 750	2.83	8.50	24.10
201019	PS100 Horizontal-2 1000	3.47		
201020	PS100 Horizontal-2 1500	4.78	4.54	6.50
201021	PS100 Horizontal-2 2000	6.09	3.52	3.49
201022	PS100 Horizontal-2 2500	7.45	2.88	2.00
201199	PS100 Horizontal-2 3000	8.90	2.45	1.29



Basic Technical Information:

Permissible loads in the table above are based on a maximum allowable ledger end load of 10kN.

Article No.	Description	Weight (kg)
201335	PS100 Deck 500-2	4.18
201336	PS100 Deck 750-2	5.28
201337	PS100 Deck 1000-2	6.54
201338	PS100 Deck 1500-2	8.74
201339	PS100 Deck 2000-2	10.94
201340	PS100 Deck 2500-2	12.94
201341	PS100 Deck 3000-2	15.32



MAX. PERMISSIBLE LOAD PER GRID SIZE (kN/m ²)												
Bay Width		500	750	1000	1500	2000	2500	3000	1500	2000	2500	3000
Deck Length	750	6.00	6.00	6.00	6.00	4.36	2.37	1.43	-	-	-	-
	1000	6.00	6.00	6.00	6.00	3.21	1.72	1.01	-	-	-	-
	1500	6.00	6.00	6.00	4.07	2.07	1.07	0.60	6.00	6.00	5.43	4.03
	2000	4.50	4.50	4.50	3.00	1.49	0.75	0.39	4.50	4.50	4.01	2.96
	2500	3.00	3.00	3.00	2.35	1.15	0.55	0.27	3.00	3.00	3.00	2.32
	3000	2.00	2.00	2.00	1.92	0.92	0.42	0.18	2.00	2.00	2.00	1.90

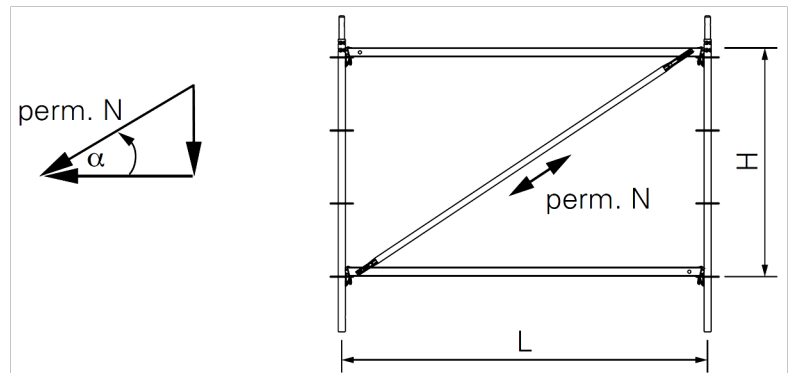
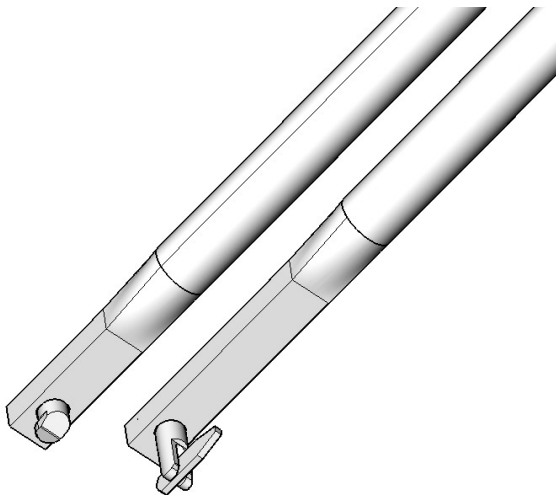
Boxes in grey are based on using PERI-UP UVH reinforced ledgers.

Figures in RED are limited by the ledger capacity.

PERI Systems | PS100

Article No.	Description	Weight (kg)	Degrees (α)	Compression (kN)	Tension (kN)
201023	PS100 Diagonal-2 1000/500	2.14	33.7	7.93	8.20
201024	PS100 Diagonal-2 1000/1000	2.82	53.1	3.96	6.19
201025	PS100 Diagonal-2 1000/1500	3.66	63.4	7.13	8.20
201079	PS100 Diagonal-2 1000/2000	4.57	69.4	6.54	8.20
201026	PS100 Diagonal-2 1500/500	3.02	21.8	7.73	8.20
201027	PS100 Diagonal-2 1500/1000	3.53	38.7	7.20	8.20
201028	PS100 Diagonal-2 1500/1500	4.23	50.2	6.80	8.20
201080	PS100 Diagonal-2 1500/2000	5.01	58.0	6.23	8.20
201029	PS100 Diagonal-2 2000/500	3.96	15.9	6.93	8.20
201030	PS100 Diagonal-2 2000/1000	4.34	29.7	6.67	8.20
201031	PS100 Diagonal-2 2000/1500	4.92	40.6	6.31	8.20
201081	PS100 Diagonal-2 2000/2000	5.60	48.8	5.79	8.20
201033	PS100 Diagonal-2 2500/1000	5.22	23.9	6.09	8.20
201034	PS100 Diagonal-2 2500/1500	5.69	33.7	5.73	8.20
201082	PS100 Diagonal-2 2500/2000	6.29	41.6	4.49	8.20

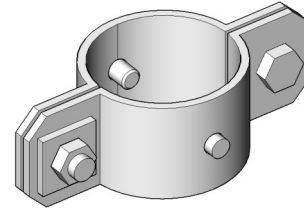
**Diagonal Naming: XXXX (Length) / YYYY (Height)



PERI Systems | PS100

Article No.	Description	Weight (kg)
201201	PS100 E-Clip	0.32

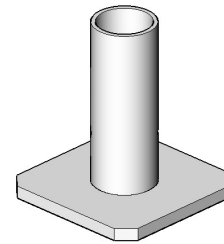
Used for tension connections between PS100 Connector and Vertical at the Spindle locations.



Basic Technical Information:

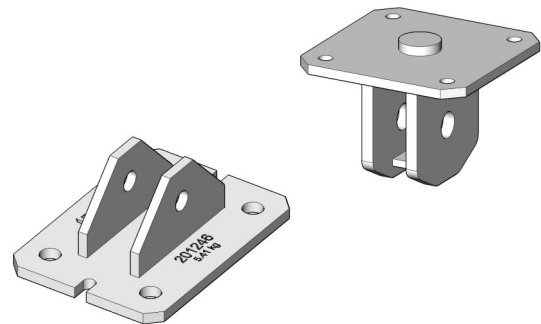
Permissible tension load: 5kN

Article No.	Description	Weight (kg)
200812	PS100 Socket Base	2.88



Article No.	Description	Weight (kg)
201246	PS100 Base Plate	5.41
201247	PS100 Spindle Plate	2.82

Used with Filler Pin D21x120 & R-Clip.

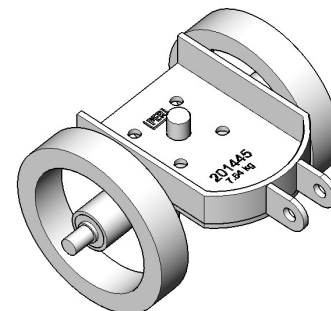


Basic Technical Information:

Permissible load: 100kN

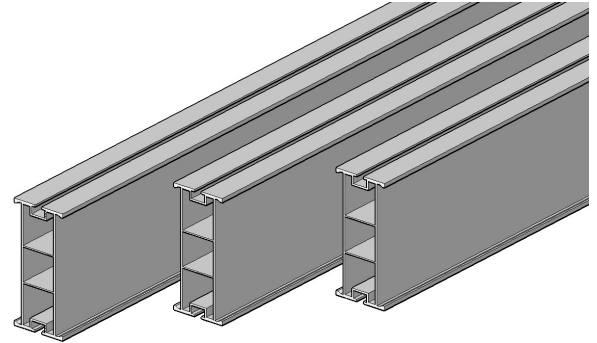
Max support angle: 30deg

Article No.	Description	Weight (kg)
201445	Casters 2000kg	7.54



PERI Systems | PS100

Article No.	Description	Weight (kg)
200716	AB225 1800	15.10
200717	AB225 2400	20.10
200719	AB225 3000	25.20
200720	AB225 3600	30.20
200718	AB225 4200	34.58
200721	AB225 4800	40.30
200722	AB225 5400	45.30
200723	AB225 5900	48.58



Basic Technical Information:

Permissible Bending moment: 25kNm

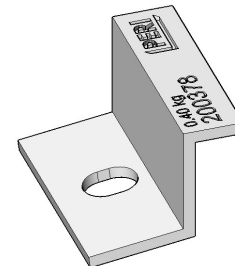
Permissible Shear: 69kN

Permissible End Reaction: 100kN (200mm away from edge)

Article No.	Description	Weight (kg)
200378	AB to VT Clamp	0.18

Used to connect VT to AB225.

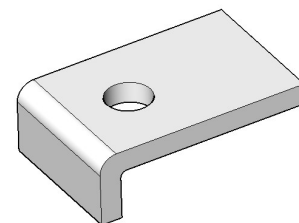
Used with T-Bolt M12x45 & Nut M12



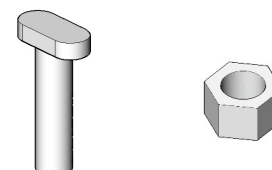
Article No.	Description	Weight (kg)
201758	AB to Steel Beam Clamp	0.14

Used to connect Portal Beams, RCS or SRU to AB225.

Used with T-Bolt M12x45 & Nut M12

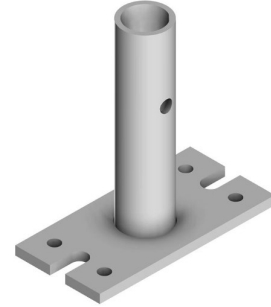


Article No.	Description	Weight (kg)
200770	T-Bolt M12x45-8.8	0.06
200047	Hex Nut ISO4032 M12-8	0.02



PERI Systems | PS100

Article No.	Description	Weight (kg)
201037	Alubeam Guardrail Post Holder	1.27



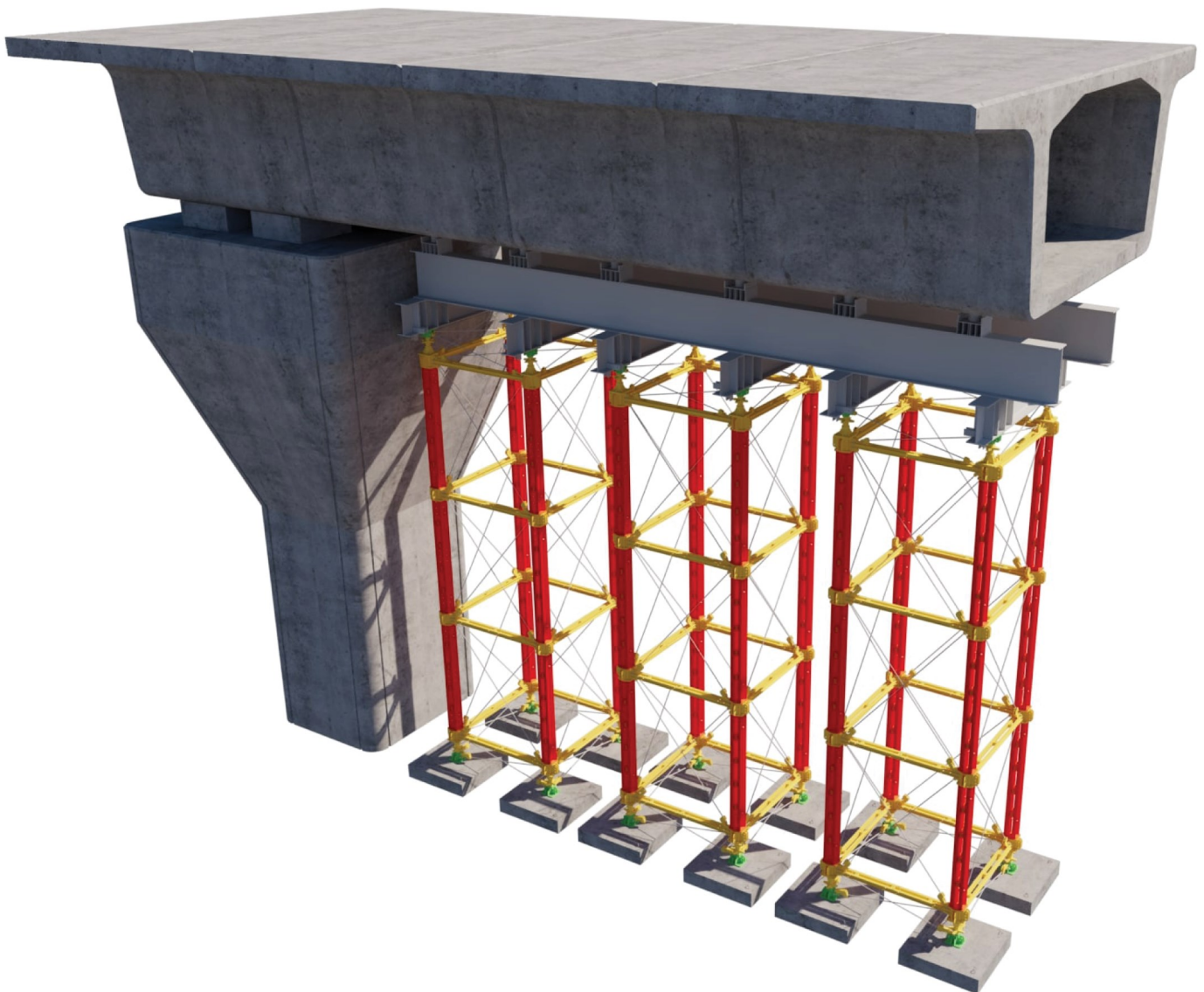
PERI Systems | HDS

Heavy-duty Shoring System for Different Applications



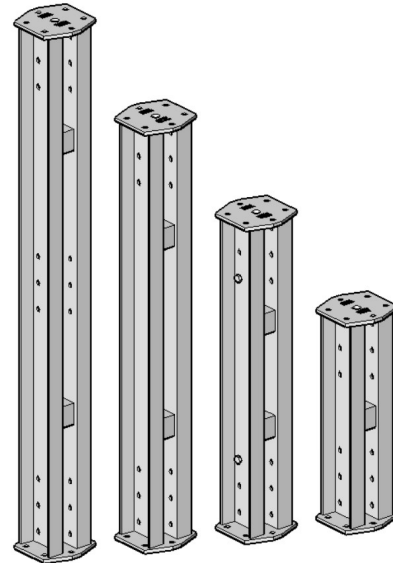
Explore in 3D

- Fast and easy assembly
- Only 2 standard connections
- Built-in safety features
- Cost-effective
- Flexible configuration of horizontals and verticals to facilitate all dimensions
- Increased rigidity of the system, less shortening under load



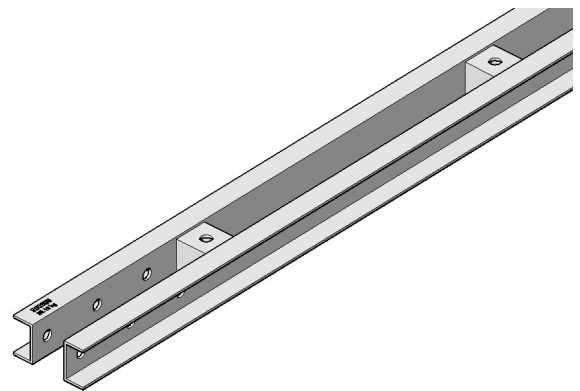
PERI Systems | HDS

Article No.	Description	Weight (kg)
200588	HDS Standard 1000	74.00
200589	HDS Standard 1500	101.50
200590	HDS Standard 2000	127.30
200591	HDS Standard 2500	153.10

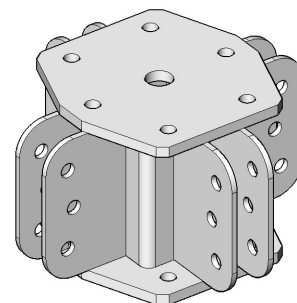


Basic Technical Information:
Permissible Compressive Load: 1000kN
Permissible Tension Load: 90kN

Article No.	Description	Weight (kg)
200595	HDS Ledger 1500	21.42
200596	HDS Ledger 2000	29.48
200597	HDS Ledger 2500	38.24
200598	HDS Ledger 3000	46.30
200599	HDS Ledger 3500	55.10
200600	HDS Ledger 4000	63.10
200601	HDS Ledger 4500	72.65

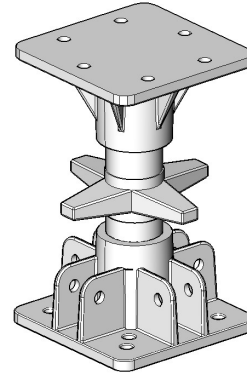


Article No.	Description	Weight (kg)
200585	HDS Connector	40.10



PERI Systems | HDS

Article No.	Description	Weight (kg)
200608	HDS Screw Jack	71.98

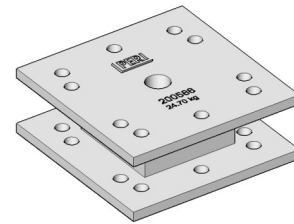


Basic Technical Information:

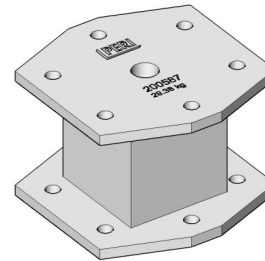
Max. Extension: 620mm

Min. Extension: 410mm

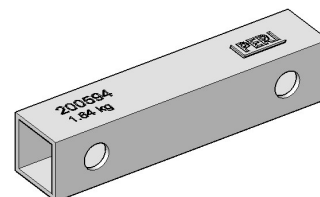
Article No.	Description	Weight (kg)
200586	HDS Standard 110	24.70



Article No.	Description	Weight (kg)
200587	HDS Standard 200	29.38

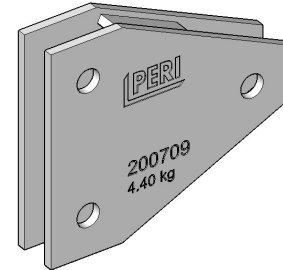


Article No.	Description	Weight (kg)
200594	HDS Ledger 500	1.64



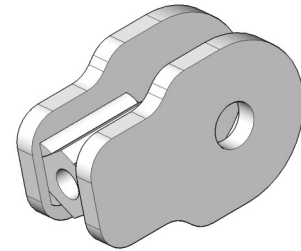
PERI Systems | HDS

Article No.	Description	Weight (kg)
200709	HDS Ledger 500 Rigid	4.40



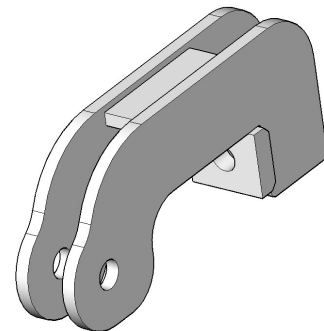
Article No.	Description	Weight (kg)
200271	HDS Bracing Nut	1.40

Used with DW15 Tie Rod.



Article No.	Description	Weight (kg)
200272	HDS Bracing Hook	5.00

Used with DW15 Tie Rod & Nut.

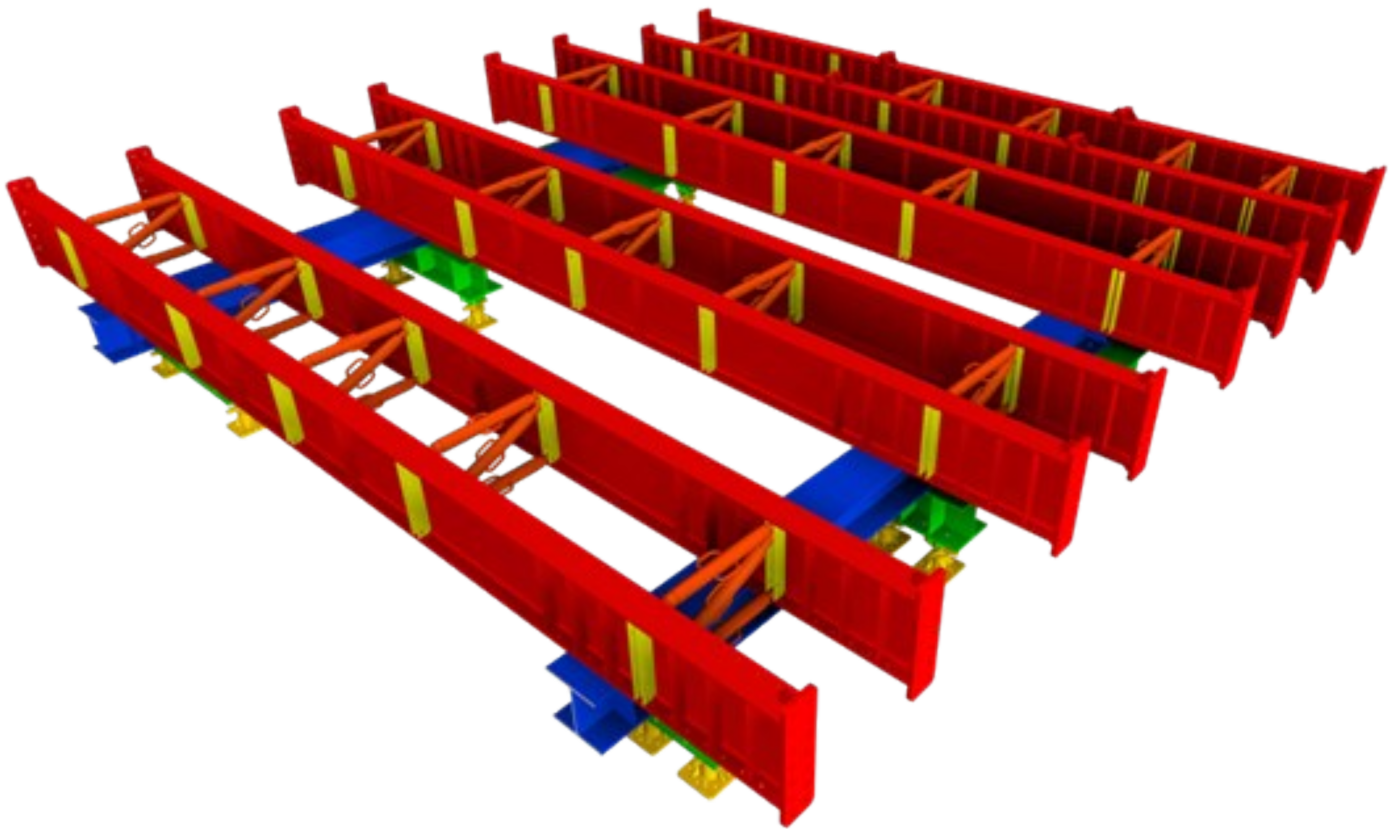


PERI Systems | PORTAL BEAMS

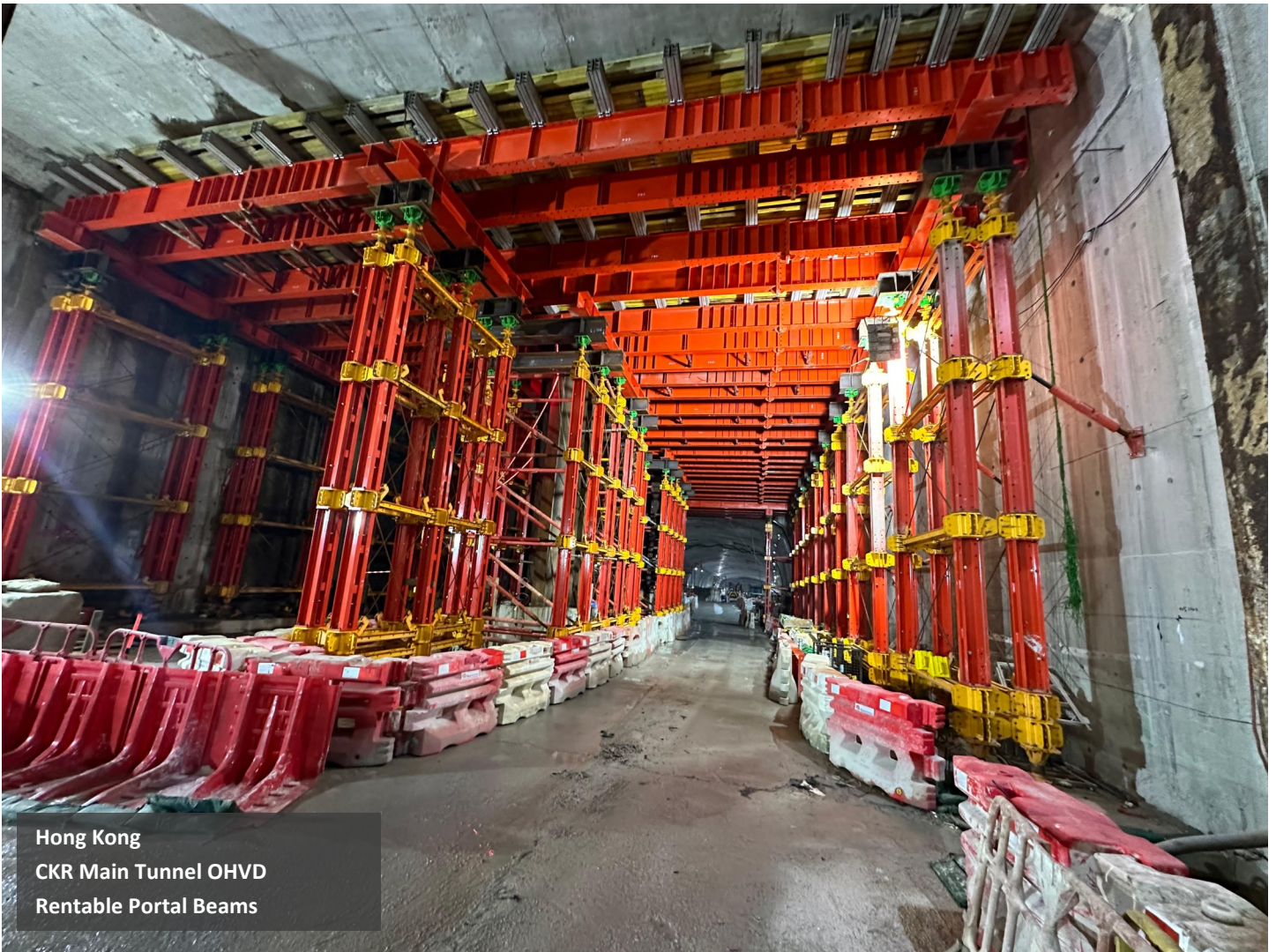
The rentable spanning solution

- High level of safety
- Fast assembly and simple application
- Locally made

[Explore in 3D](#)



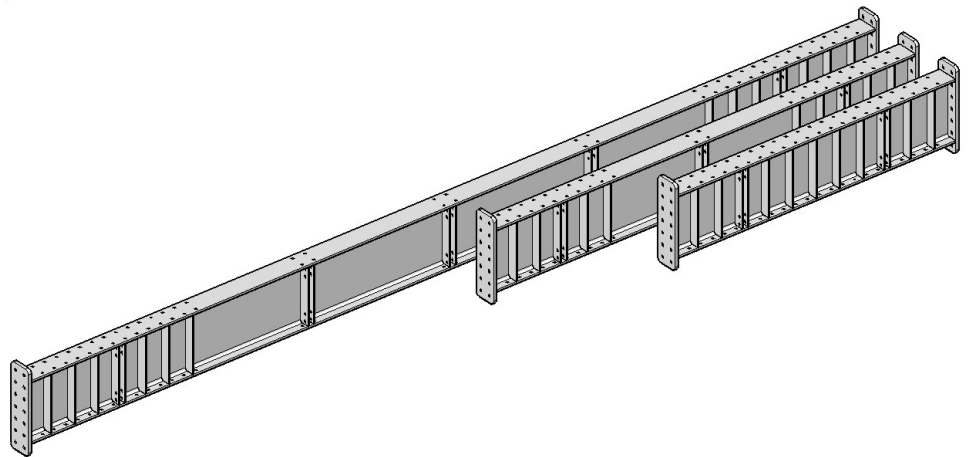
PERI Systems | PORTAL BEAMS



Hong Kong
CKR Main Tunnel OHVD
Rentable Portal Beams

PERI Systems | PORTAL BEAMS

Article No.	Description	Weight (kg)
201741	Portal Beam 9.0m	1'302.20
201742	Portal Beam 4.5m	706.40
201744	Portal Beam 3.0m	523.30
201743	Portal Beam 2.5m	451.20



Basic Technical Information:

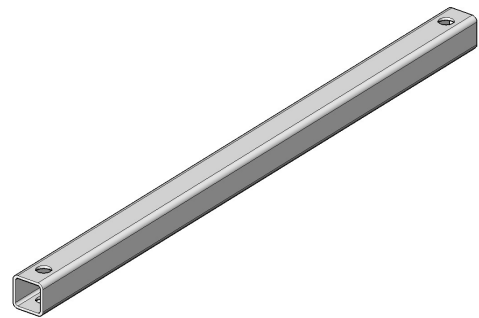
Permissible Bending Moment: 700kNm (on beam)

Permissible Bending Moment: 410kNm (at joint)

Permissible Shear: 1,070kN

Article No.	Description	Weight (kg)
900003	Horizontal Brace (QRO 50x50x4) 892mm	5.20
900003	Diagonal (QRO 50x50x4) 962mm	5.60

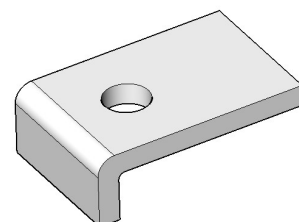
Horizontal and diagonal braces are made on a case by case basis, using QRO 50x50x4mm, Grade Q345 members.



Article No.	Description	Weight (kg)
201758	AB to Steel Beam Clamp	0.14

Used to connect Portal Beams, RCS or SRU to AB225.

Used with T-Bolt M12x45 & Nut M12



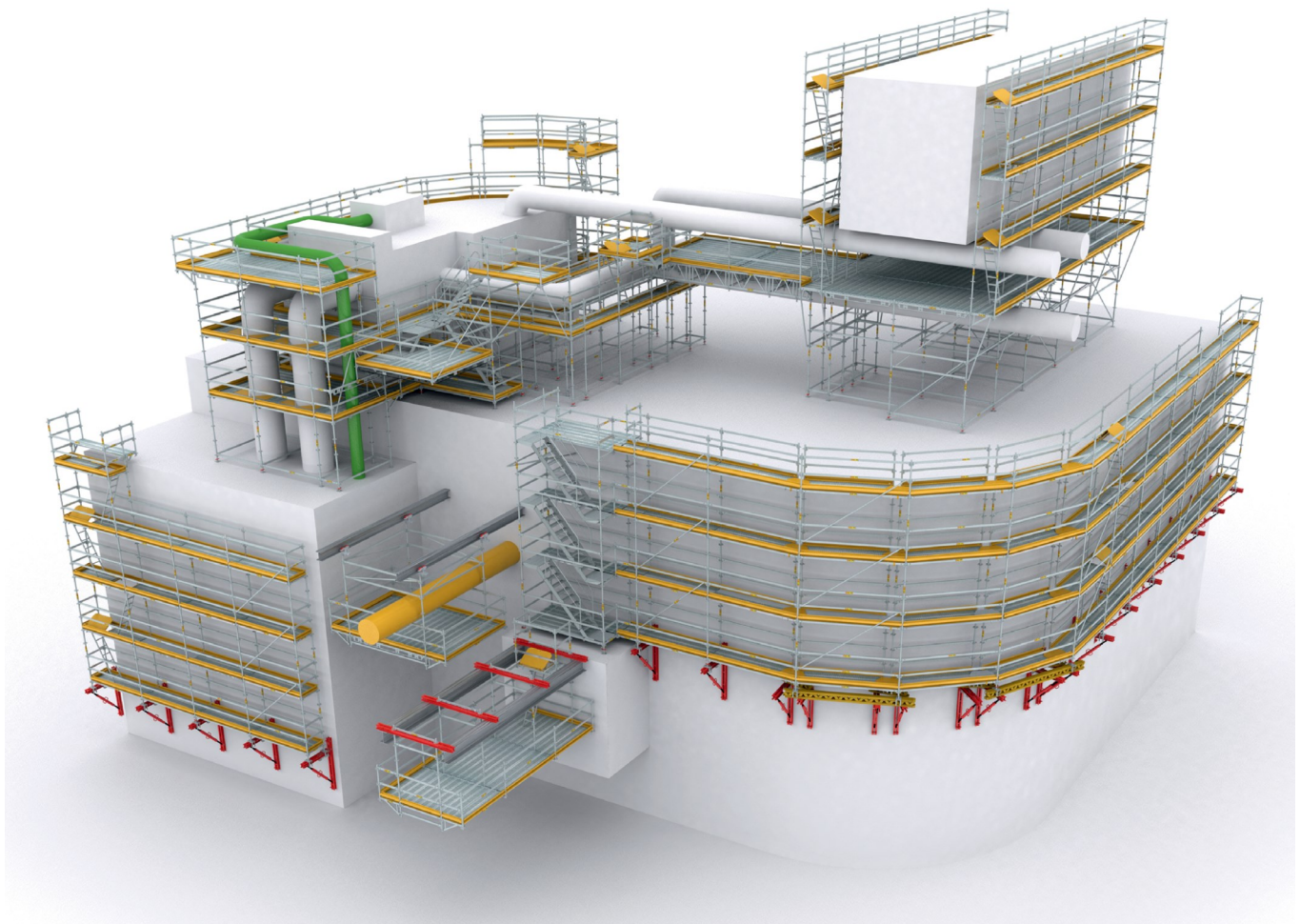
PERI Systems | PERI-UP

Safe, Fast and Flexible Scaffolding Solution for Construction & Industry



Explore in 3D

- High level of safety
- Fast assembly
- All components are hot-dip galvanized
- Variety of applications
- Built-in safety features



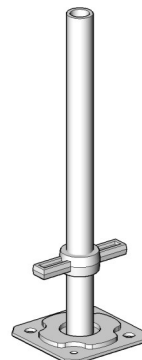
PERI Systems | PERI-UP

Article No.	Description	Weight (kg)
100411	Adj. Base Plate UJB 38-50/30	3.42

Basic Technical Information:

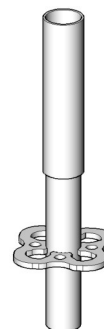
Max. Extension: 355mm

Min. Extension: 45mm

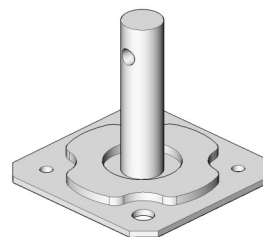


Article No.	Description	Weight (kg)
100014	Base Standard UVB 24	2.47

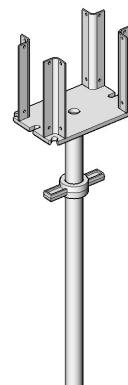
Used to assist with setting out of scaffold.



Article No.	Description	Weight (kg)
100244	Base Plate UJP	1.20

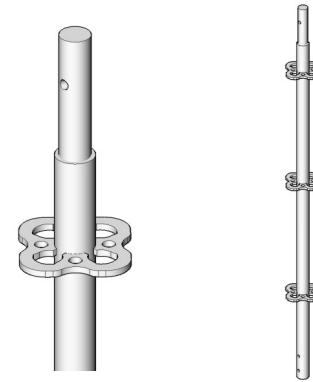


Article No.	Description	Weight (kg)
019950	Crosshead Spindle 20-24	7.78

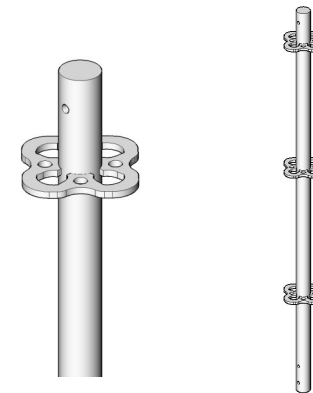


PERI Systems | PERI-UP

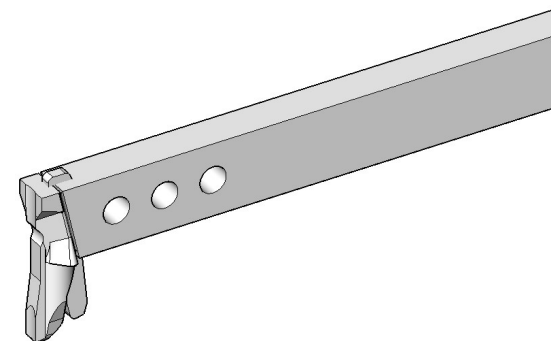
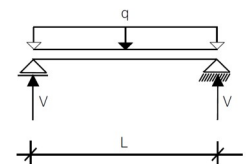
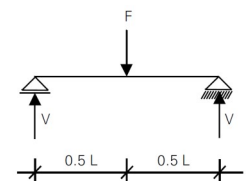
Article No.	Description	Weight (kg)
102859	Standard UVR 50	3.08
101306	Standard UVR 100	5.38
102860	Standard UVR 150	7.69
100009	Standard UVR 200	9.99
100012	Standard UVR 300	14.70



Article No.	Description	Weight (kg)
100000	Top Standard UVH 100	4.61
100003	Top Standard UVH 150	6.92
100005	Top Standard UVH 200	9.23



Article No.	Description	Weight (kg)	Permissible F (kN)	Permissible q (kN/m)
201288	PS100 Horizontal-2 250	1.45	12.20	52.00
201018	PS100 Horizontal-2 500	2.15	12.20	52.00
201198	PS100 Horizontal-2 750	2.83	8.50	24.10
201019	PS100 Horizontal-2 1000	3.47		
201020	PS100 Horizontal-2 1500	4.78	4.54	6.50
201021	PS100 Horizontal-2 2000	6.09	3.52	3.49
201022	PS100 Horizontal-2 2500	7.45	2.88	2.00
201199	PS100 Horizontal-2 3000	8.90	2.45	1.29

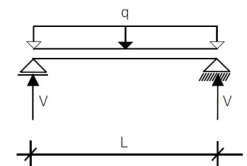
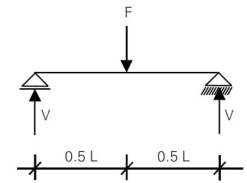


Basic Technical Information:

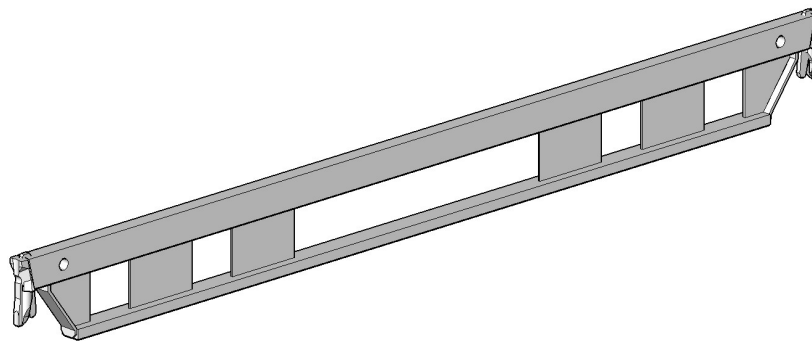
Permissible loads in the table above are based on a maximum allowable ledger end load of 10kN.

PERI Systems | PERI-UP

Article No.	Description	Weight (kg)	Permissible F (kN)	Permissible q (kN/m)
114681	Ledger UHV 150 Plus	11.00	12.60	19.80
114687	Ledger UHV 200 Plus	14.90	10.93	13.60
114691	Ledger UHV 250 Plus	18.10	9.33	8.53
114695	Ledger UHV 300 Plus	21.80	8.20	6.29



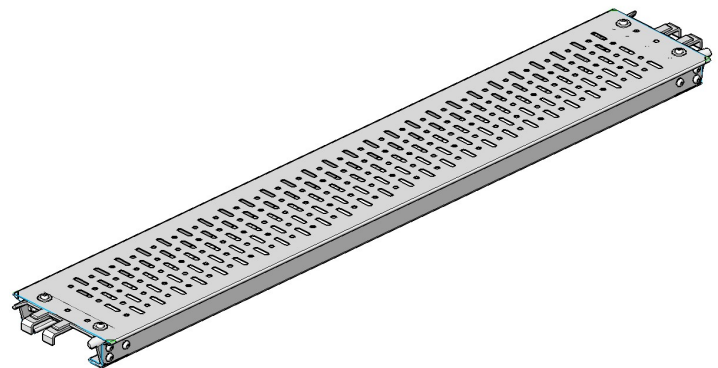
** The top chord must be secured with decks to prevent lateral shift and buckling.



Basic Technical Information:

Permissible loads in the table above are based on a maximum allowable ledger end load of 10kN.

Article No.	Description	Weight (kg)
201335	PS100 Deck 500-2	4.18
201336	PS100 Deck 750-2	5.28
201337	PS100 Deck 1000-2	6.54
201338	PS100 Deck 1500-2	8.74
201339	PS100 Deck 2000-2	10.94
201340	PS100 Deck 2500-2	12.94
201341	PS100 Deck 3000-2	15.32



MAX. PERMISSIBLE LOAD PER GRID SIZE (kN/m ²)												
Bay Width		500	750	1000	1500	2000	2500	3000	1500	2000	2500	3000
Deck Length	750	6.00	6.00	6.00	6.00	4.36	2.37	1.43	-	-	-	-
	1000	6.00	6.00	6.00	6.00	3.21	1.72	1.01	-	-	-	-
	1500	6.00	6.00	6.00	4.07	2.07	1.07	0.60	6.00	6.00	5.43	4.03
	2000	4.50	4.50	4.50	3.00	1.49	0.75	0.39	4.50	4.50	4.01	2.96
	2500	3.00	3.00	3.00	2.35	1.15	0.55	0.27	3.00	3.00	3.00	2.32
	3000	2.00	2.00	2.00	1.92	0.92	0.42	0.18	2.00	2.00	2.00	1.90

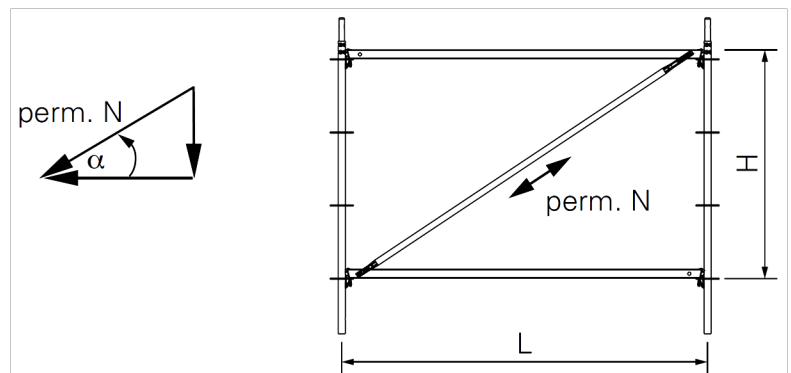
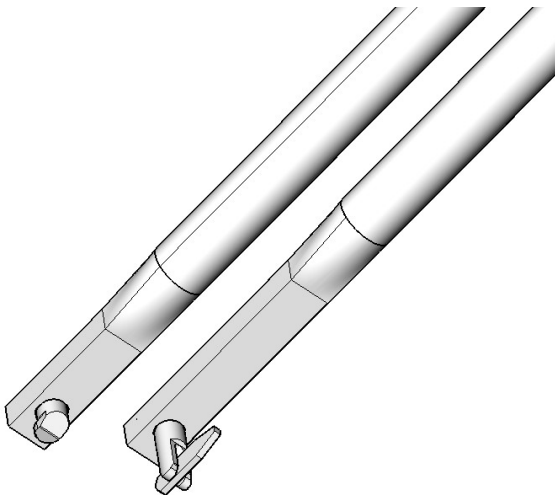
Boxes in grey are based on using PERI-UP UVH reinforced ledgers.

Figures in RED are limited by the ledger capacity.

PERI Systems I P

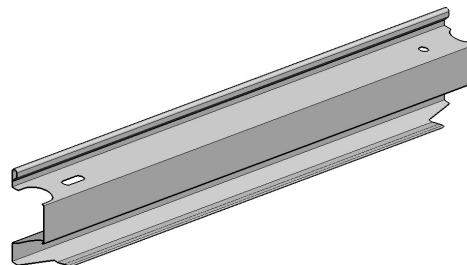
Article No.	Description	Weight (kg)	Degrees (α)	Compression (kN)	Tension (kN)
201023	PS100 Diagonal-2 1000/500	2.14	33.7	7.93	8.20
201024	PS100 Diagonal-2 1000/1000	2.82	53.1	3.96	6.19
201025	PS100 Diagonal-2 1000/1500	3.66	63.4	7.13	8.20
201079	PS100 Diagonal-2 1000/2000	4.57	69.4	6.54	8.20
201026	PS100 Diagonal-2 1500/500	3.02	21.8	7.73	8.20
201027	PS100 Diagonal-2 1500/1000	3.53	38.7	7.20	8.20
201028	PS100 Diagonal-2 1500/1500	4.23	50.2	6.80	8.20
201080	PS100 Diagonal-2 1500/2000	5.01	58.0	6.23	8.20
201029	PS100 Diagonal-2 2000/500	3.96	15.9	6.93	8.20
201030	PS100 Diagonal-2 2000/1000	4.34	29.7	6.67	8.20
201031	PS100 Diagonal-2 2000/1500	4.92	40.6	6.31	8.20
201081	PS100 Diagonal-2 2000/2000	5.60	48.8	5.79	8.20
201033	PS100 Diagonal-2 2500/1000	5.22	23.9	6.09	8.20
201034	PS100 Diagonal-2 2500/1500	5.69	33.7	5.73	8.20
201082	PS100 Diagonal-2 2500/2000	6.29	41.6	4.49	8.20

**Diagonal Naming: XXXX (Length) / YYYY (Height)

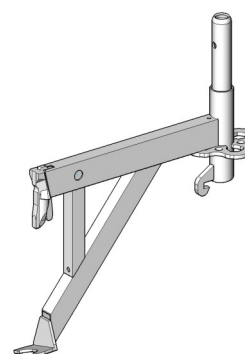


PERI Systems | PERI-UP

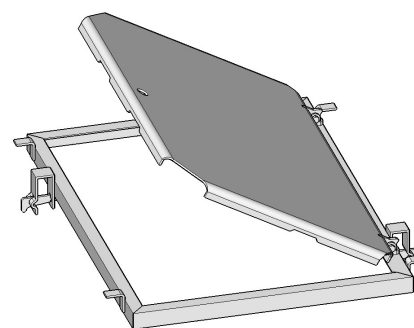
Article No.	Description	Weight (kg)
200087	Toeboard Steel UPY 50 220mm	0.93
200088	Toeboard Steel UPY 75 220mm	1.44
200084	Toeboard Steel UPY 100 220mm	1.96
200200	Toeboard Steel UPY 150 220mm	2.88
200201	Toeboard Steel UPY 200 220mm	3.84
200085	Toeboard Steel UPY 250 220mm	5.07
200086	Toeboard Steel UPY 300 220mm	6.10



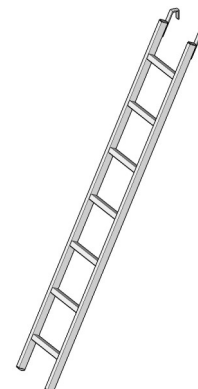
Article No.	Description	Weight (kg)
112676	Console UCM 50 with Spigot	5.27
112678	Console UCM 75 with Spigot	6.51



Article No.	Description	Weight (kg)
109755	Hatch UAF 75x100	15.70

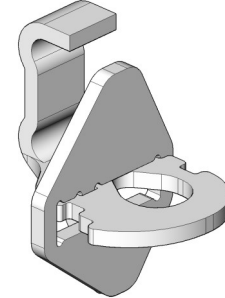


Article No.	Description	Weight (kg)
109879	Ladder UAF 200	3.82

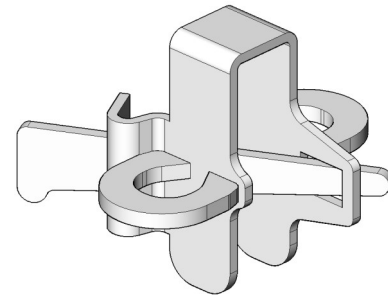


PERI Systems | PERI-UP

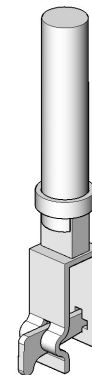
Article No.	Description	Weight (kg)
101731	Ledger to Ledger Coupler UHA	0.84



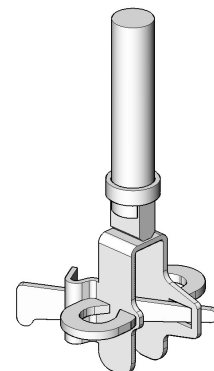
Article No.	Description	Weight (kg)
110793	Ledger Bracket UHA Half	1.09



Article No.	Description	Weight (kg)
109764	UH-Spigot	1.25

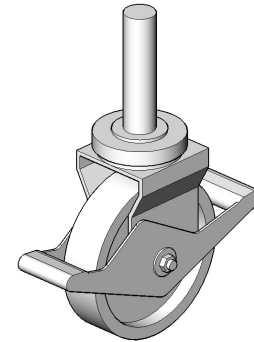


Article No.	Description	Weight (kg)
110792	Ledger Bracket UHA Half Spigot	1.90



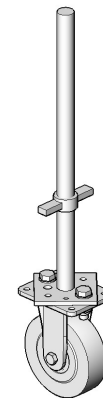
PERI Systems | PERI-UP

Article No.	Description	Weight (kg)
101858	Castor UEW 12 with Spigot	7.00



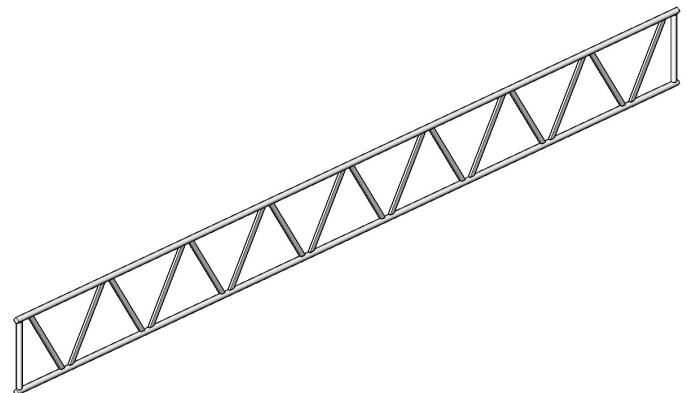
Basic Technical Information:
Permissible Load: 12kN (stopped condition)

Article No.	Description	Weight (kg)
123941	Castor UEW 30 with Spindle	12.50

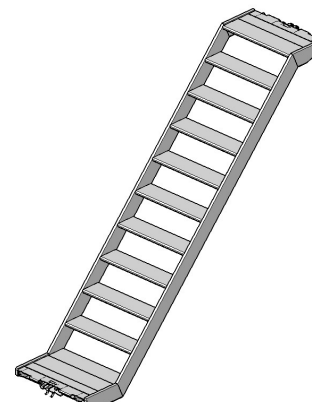


Basic Technical Information:
Permissible Load: 30kN (stopped condition)

Article No.	Description	Weight (kg)
100852	Lattice Girder Steel ULS 70/825	83.60



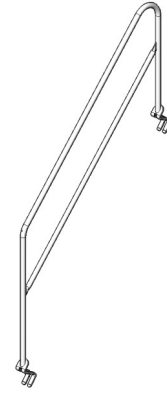
Article No.	Description	Weight (kg)
111117	Staircase UAS 75x250/200	28.00



Basic Technical Information:
Permissible Load: 2.0kN/m²

PERI Systems I PERI-UP

Article No.	Description	Weight (kg)
100742	Stair Gaurdrail UAG	10.00



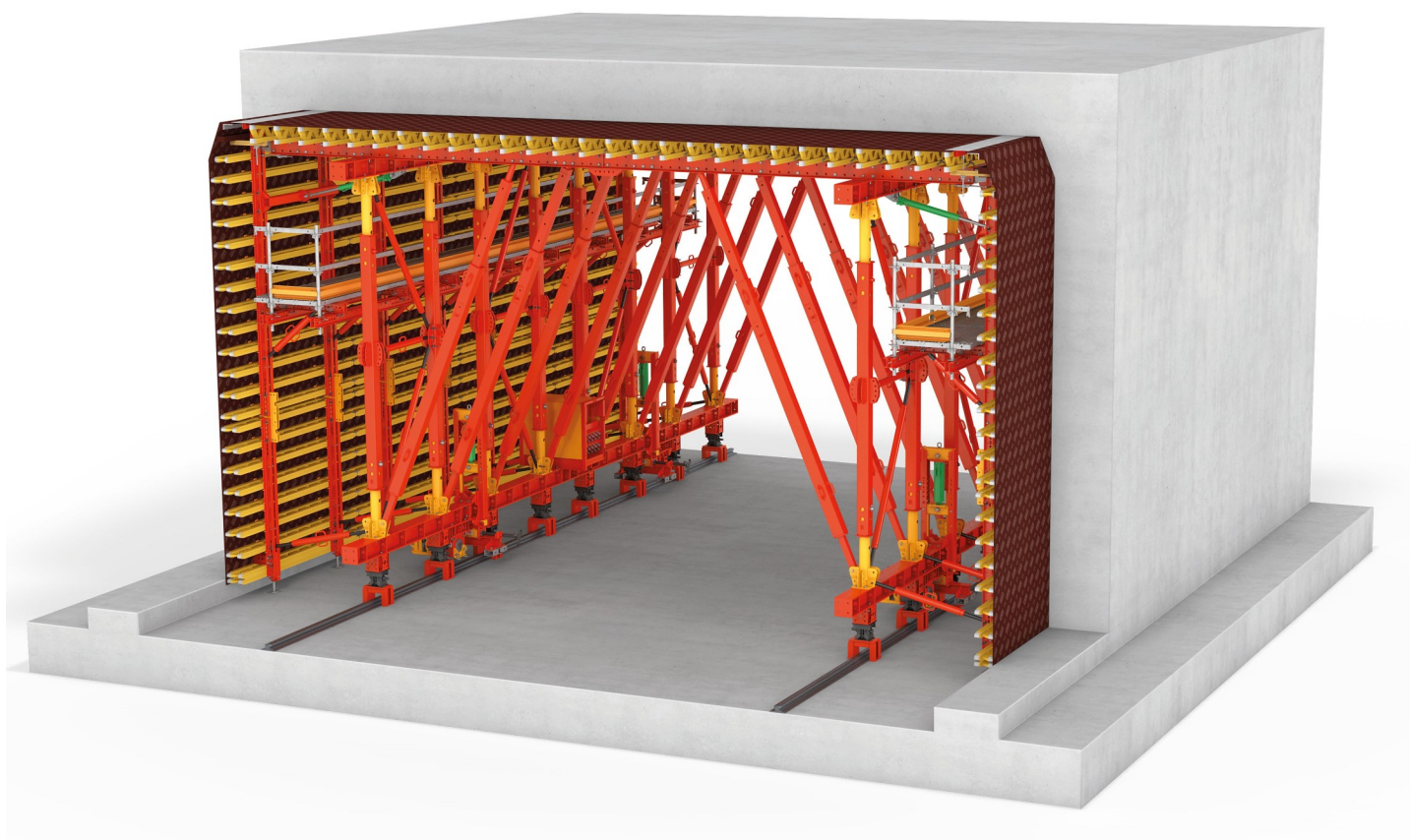
PERI Systems | VARIOKIT

Complete System Solution for Your Infrastructure Project

- High versatility of applications: bridges, tunnels and civil engineering
- High level of work safety due to standardization
- Fast assembly due to pin connections
- VARIOKIT consists mainly of rentable standard components that are constant but nevertheless, highly versatile in their use.



Explore in 3D

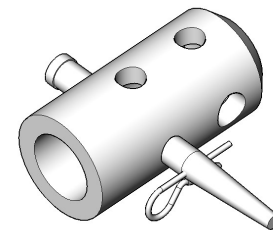


PERI Systems | VARIOKIT

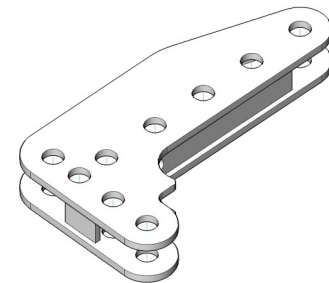
Article No.	Description	Weight (kg)
111035	Heavy Duty Spindle SLS 40/80	11.90
101773	Heavy Duty Spindle SLS 80/140	14.20
101774	Heavy Duty Spindle SLS 100/180	17.70
101776	Heavy Duty Spindle SLS 140/240	24.20
101778	Heavy Duty Spindle SLS 200/300	31.60
101779	Heavy Duty Spindle SLS 260/360	37.70
109726	Heavy Duty Spindle SLS 320/420	44.10
109785	Heavy Duty Spindle SLS 380/480	50.30



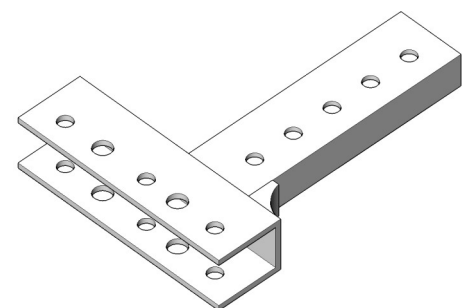
Article No.	Description	Weight (kg)
110477	Spindle Adaptor SLS/RCS	3.99



Article No.	Description	Weight (kg)
115623	Corner Connector SRU VARIOKIT	5.04

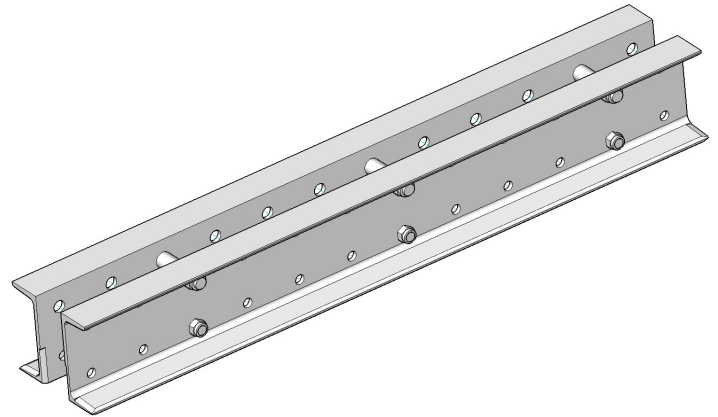


Article No.	Description	Weight (kg)
111283	Connector RCS/SRU	9.95



PERI Systems | VARIOKIT

Article No.	Description	Weight (kg)
114166	Climbing Rail RCS 148	78.20
109469	Climbing Rail RCS 248	130.00
112102	Climbing Rail RCS 298	156.00
109470	Climbing Rail RCS 348	182.00
112141	Climbing Rail RCS 398	209.00
109471	Climbing Rail RCS 498	262.00
109472	Climbing Rail RCS 748	393.00
109610	Climbing Rail RCS 998	524.00



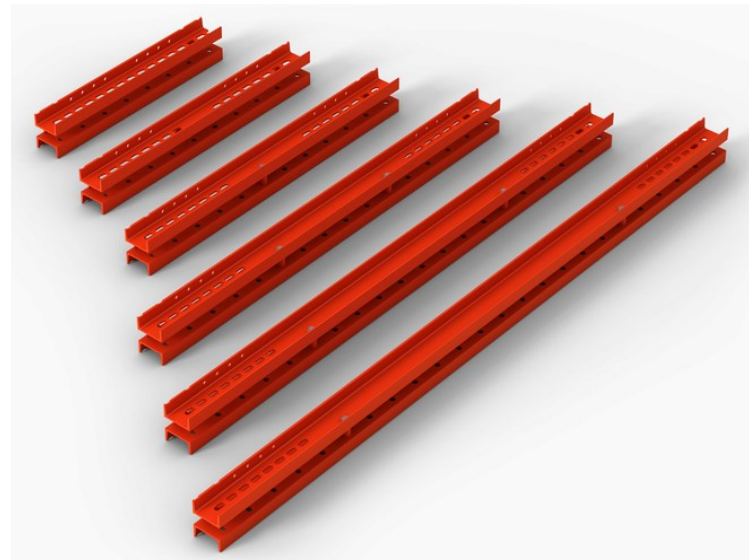
Basic Technical Information:

Permissible Bending moment: 83.4kNm

Permissible Shear Force: 299kN

Permissible Reaction Force: 1'213kN

Article No.	Description	Weight (kg)
103868	Steel Waler SRU 72	18.10
103871	Steel Waler SRU 97	24.20
103874	Steel Waler SRU 122	30.90
103877	Steel Waler SRU 147	38.10
103886	Steel Waler SRU 172	44.70
103889	Steel Waler SRU 197	52.00
103898	Steel Waler SRU 222	58.60
103892	Steel Waler SRU 247	65.60
103929	Steel Waler SRU 272	72.00
103903	Steel Waler SRU 297	81.00
103906	Steel Waler SRU 347	92.60
103915	Steel Waler SRU 397	106.00
103918	Steel Waler SRU 447	119.00
103922	Steel Waler SRU 497	135.00
103925	Steel Waler SRU 547	146.00
103298	Steel Waler SRU 597	159.00



Basic Technical Information:

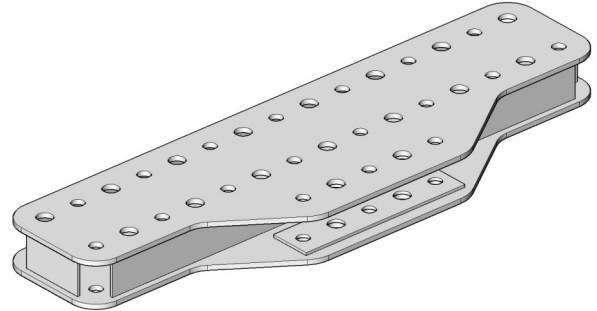
Permissible Bending moment: 16.1/19.3kNm

Permissible Shear Force: 70.0/114.0kN

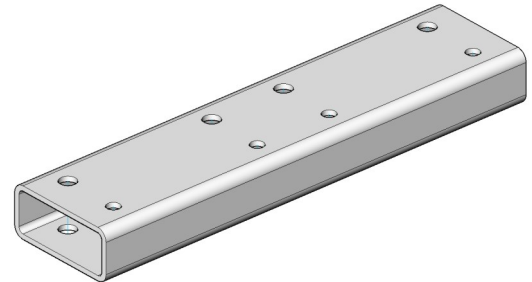
Permissible Reaction Force: 397.0/444.0kN

PERI Systems | VARIOKIT

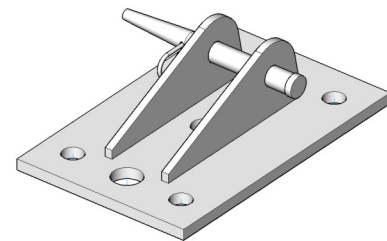
Article No.	Description	Weight (kg)
111390	Coupling Flex Resistant RCS	32.80



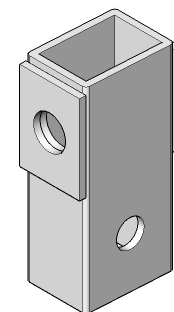
Article No.	Description	Weight (kg)
113744	Climbing Rail Connector RCS 79	21.00



Article No.	Description	Weight (kg)
114997	Bracing Shoe RCS DW15	

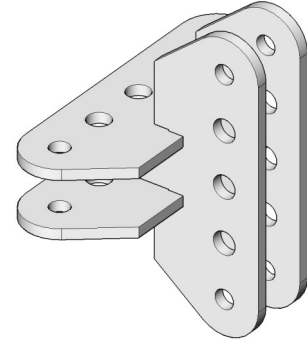


Article No.	Description	Weight (kg)
200234	Cross Connector RCS-SRU	2.45

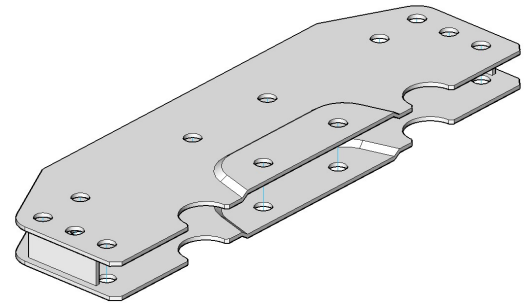


PERI Systems | VARIOKIT

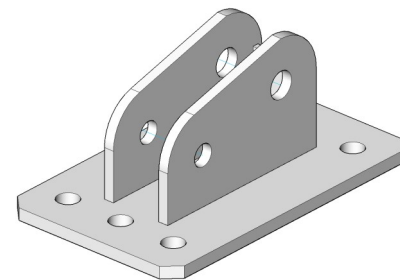
Article No.	Description	Weight (kg)
123509	Cross Connector RCS	13.40



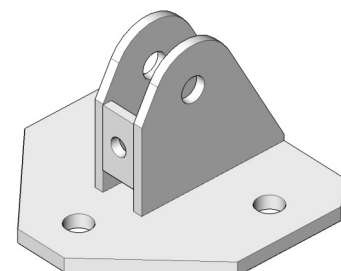
Article No.	Description	Weight (kg)
103737	Universal Coupling UK70	10.80



Article No.	Description	Weight (kg)
201232	VARIOKIT Uni Plate	8.33



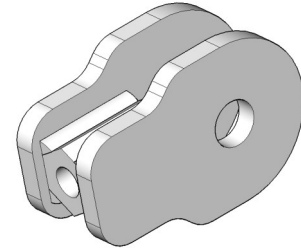
Article No.	Description	Weight (kg)
200753	SRU Anchor Plate	5.20



PERI Systems | VARIOKIT

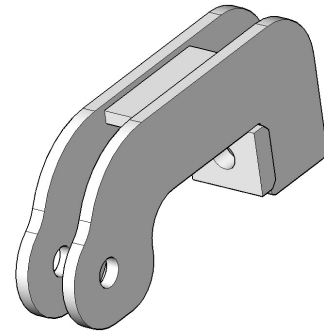
Article No.	Description	Weight (kg)
200271	HDS Bracing Nut	1.40

Used with DW15 Tie Rod.

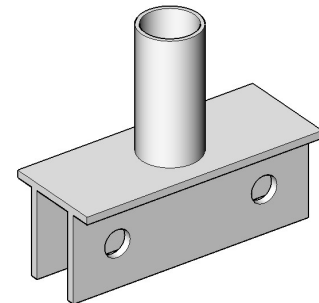


Article No.	Description	Weight (kg)
200272	HDS Bracing Hook	5.00

Used with DW15 Tie Rod & Nut.



Article No.	Description	Weight (kg)
200404	RCS-SRU Tube Adaptor	2.34

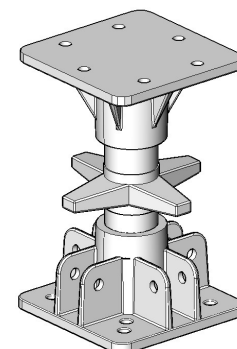


Article No.	Description	Weight (kg)
200608	HDS Screw Jack	71.98

Basic Technical Information:

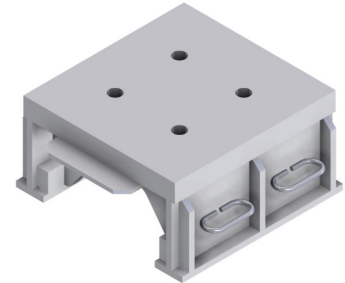
Max. Extension: 620mm

Min. Extension: 410mm

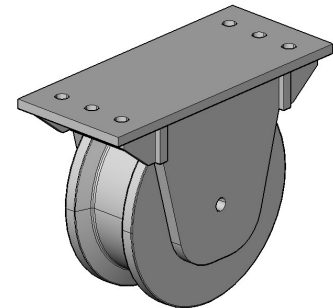


PERI Systems | VARIOKIT

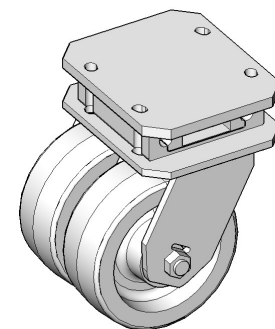
Article No.	Description	Weight (kg)
200358	Jack Console	63.17



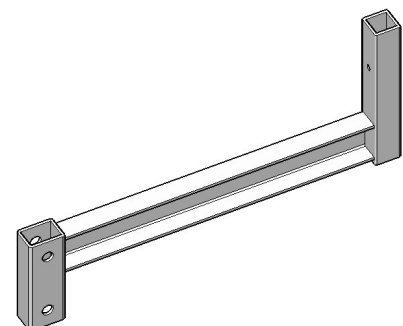
Article No.	Description	Weight (kg)
200213	Heavy Duty Wheel	51.14



Article No.	Description	Weight (kg)
201480	Caster 889-6450kg (w/stopper)	32.00



Article No.	Description	Weight (kg)
200251	Platform Beam SRU	9.20

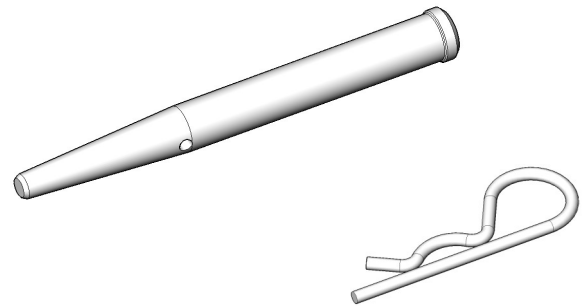


PERI Systems | VARIOKIT

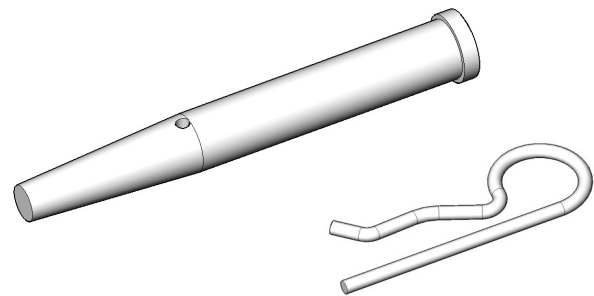
Article No.	Description	Weight (kg)
200010	Guardrail Post	6.31



Article No.	Description	Weight (kg)
200353	Pin 21x120	0.46
200344	R-Clip 4/1	0.01



Article No.	Description	Weight (kg)
200343	Pin 26x120	0.73
201157	R-Clip 5/1	0.03



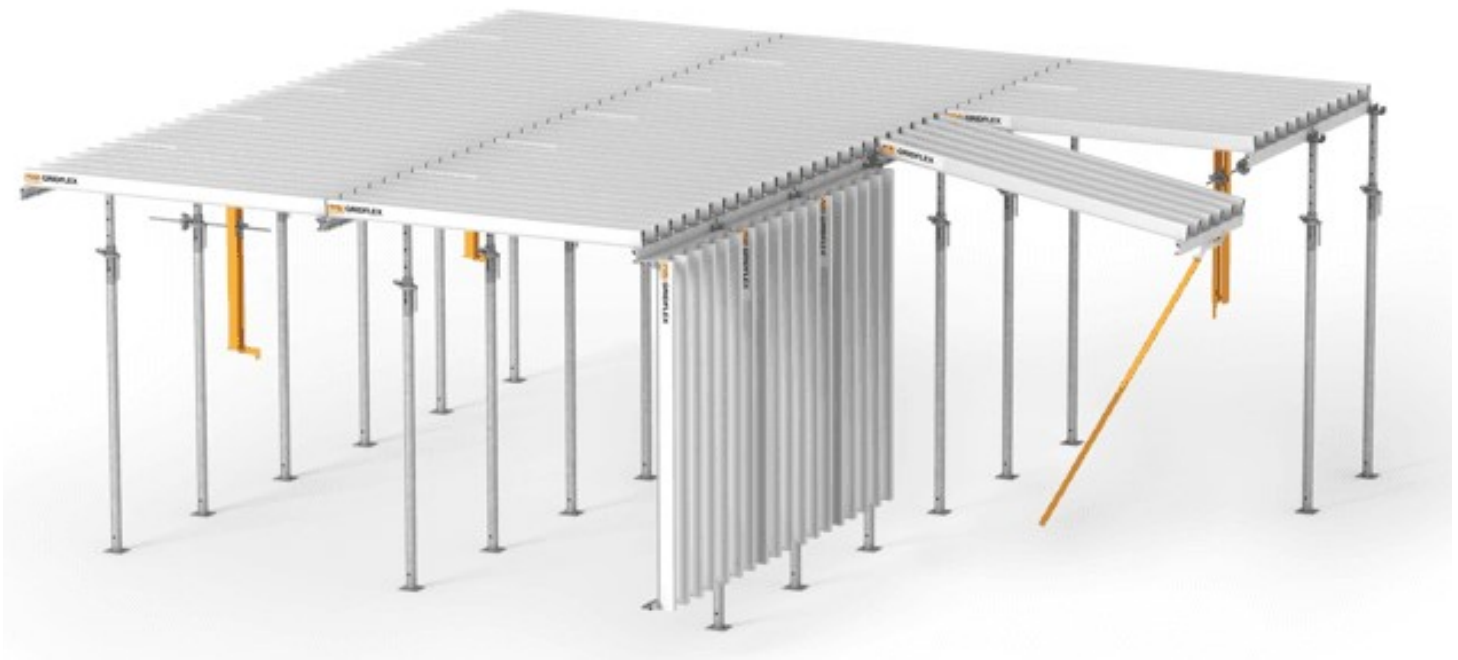
PERI Systems | GRIDFLEX

The Flexible Slab Formwork with Easy Adjustment in any Direction

- All panels are aluminium, nailable and powder coated
- Efficient prop spacing due to the big size of the panel: 2.0 x 1.0m
- Weight of the panel GFP 200x100 (white) is only 20.3kg
- Increased safety due to the small distance between the secondary berers of the panel
- Ideal for residential buildings
- Easy adjustment in any direction by panel GFC 200x100 (red) or GFL 150x100 (yellow)

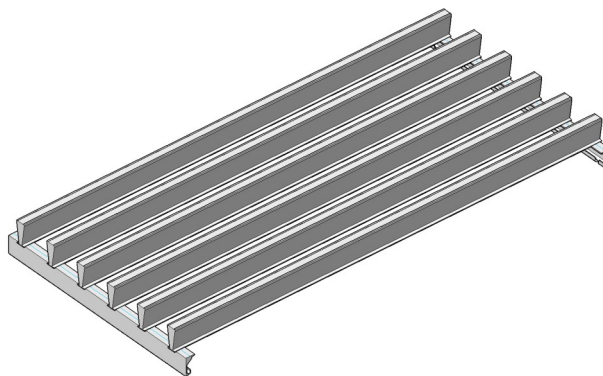


Explore in 3D

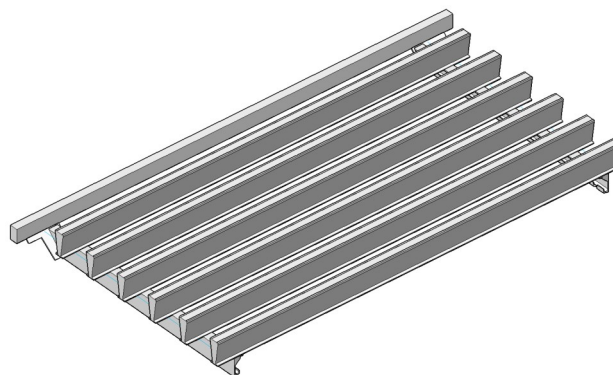


PERI Systems | GRIDFLEX

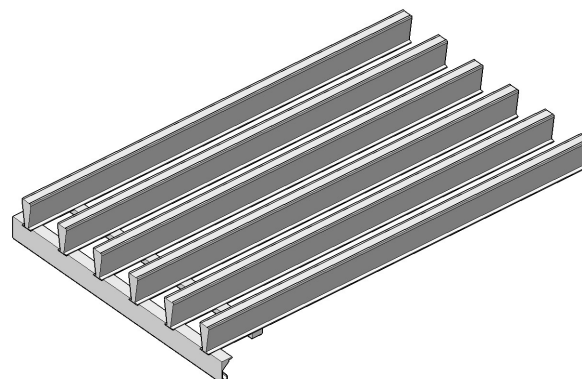
Article No.	Description	Weight (kg)
110038	Standard Element GFP200x100	20.30



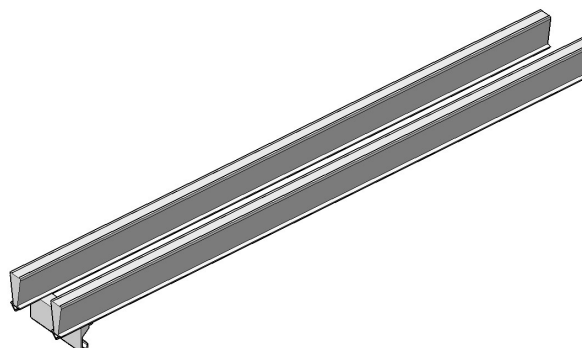
Article No.	Description	Weight (kg)
110040	Filler Element Cross GFC 200x100	22.10



Article No.	Description	Weight (kg)
110486	Filler Element Longitudinal GFL 150x100	15.00

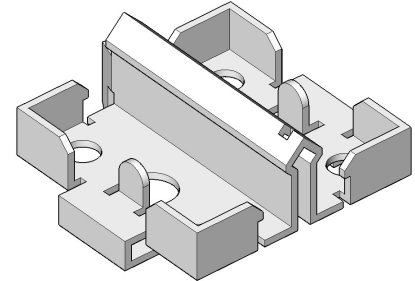


Article No.	Description	Weight (kg)
110646	Filler Element Longitudinal GLF 183x20	5.80

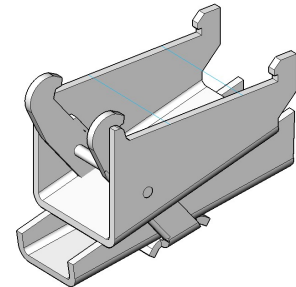


PERI Systems | GRIDFLEX

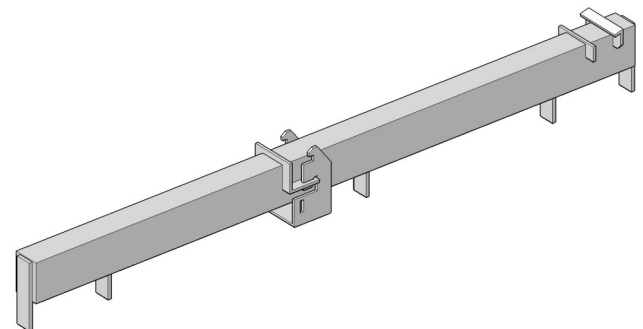
Article No.	Description	Weight (kg)
109910	Prophead GFH	0.85



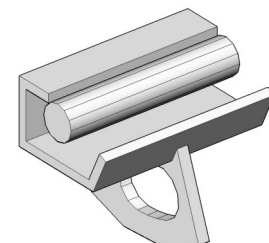
Article No.	Description	Weight (kg)
110556	Clamp GFK	0.80



Article No.	Description	Weight (kg)
110045	Transverse GF 100	5.12



Article No.	Description	Weight (kg)
110595	Tension Sleeve GFO	0.41



Basic Technical Information:
Permissible Tension: 3.0kN

PERI Independent System Components

Equipment to Compliment the PERI Range of Products

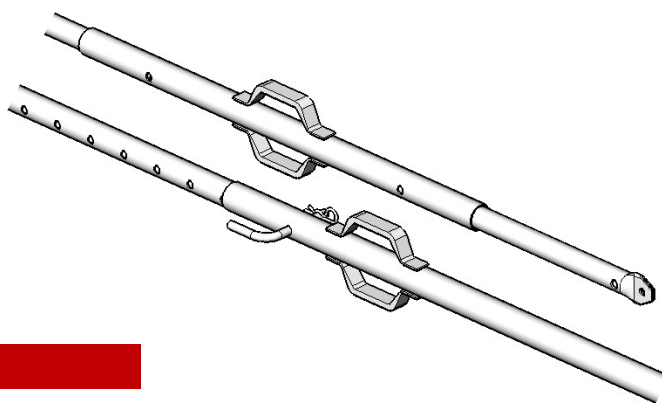
- Push-Pull Props
- Tubes & Couplers
- Tie Rods
- Plywood
- Bolts & Nuts

PERI Independent System Components - Push-Pull Props

Article No.	Description	Weight (kg)
117466	Push-Pull Prop RS210	10.60
117467	Push-Pull Prop RS300	15.50
117468	Push-Pull Prop RS450	23.00
117469	Push-Pull Prop RS650	40.00

Article No.	Description	Weight (kg)
201736	TW Push-Pull Prop 2100	10.60
201737	TW Push-Pull Prop 3000	15.50
201738	TW Push-Pull Prop 4500	23.00
201739	TW Push-Pull Prop 6500	40.00

Taiwan Prop



Push-Pull Prop 210

Extension Length	1.3m - 2.0m	2.1m
Compression (kN)	25	23.6
Tension (kN)	25	25

Push-Pull Prop 300

Extension Length	1.9m - 2.3m	2.5m	3.0m
Compression (kN)	25	21.6	14.2
Tension (kN)	25	25	25

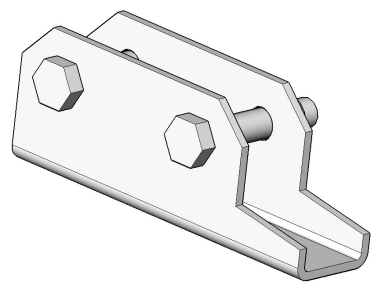
Push-Pull Prop 450

Extension Length	2.8m - 3.6m	4.0m	4.5m
Compression (kN)	25	17.2	11.8
Tension (kN)	25	25	25

Push-Pull Prop 650

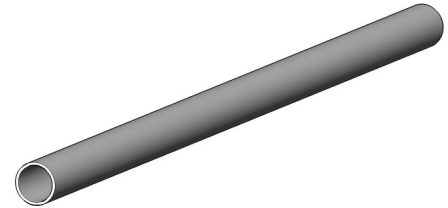
Extension Length	4.3m - 4.9m	5m	5.5m	6.0m	6.5m
Compression (kN)	25	24.4	18.5	15.9	13.2
Tension (kN)	25	25	25	25	25

Article No.	Description	Weight (kg)
200413	Base Plate UNI	3.45

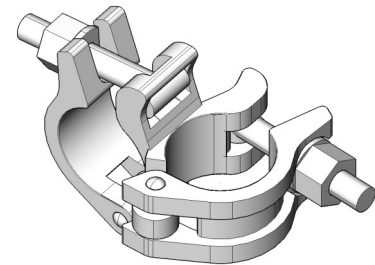


PERI Independent System Components - Tubes and Couplers

Article No.	Description	Weight (kg)
200210	Scaff. Tube \varnothing 48.3x3.2 L=1.0m	3.6
200031	Scaff. Tube \varnothing 48.3x3.2 L=1.5m	5.40
200028	Scaff. Tube \varnothing 48.3x3.2 L=2.0m	7.20
200029	Scaff. Tube \varnothing 48.3x3.2 L=3.0m	10.70
200030	Scaff. Tube \varnothing 48.3x3.2 L=4.0m	14.30
200211	Scaff. Tube \varnothing 48.3x3.2 L=5.0m	18.00
200027	Scaff. Tube \varnothing 48.3x3.2 L=6.0m	21.70

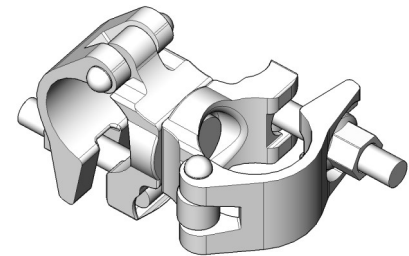


Article No.	Description	Weight (kg)
200016	Standard Coupler NK1 48/48	1.12



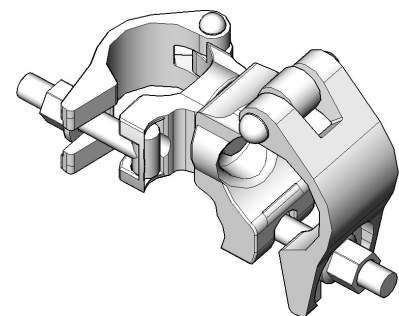
Basic Technical Information:
Permissible Slip Resistance: 6.0kN

Article No.	Description	Weight (kg)
200015	Swivel Coupler DK1 48/48	1.40



Basic Technical Information:
Permissible Slip Resistance: 6.0kN

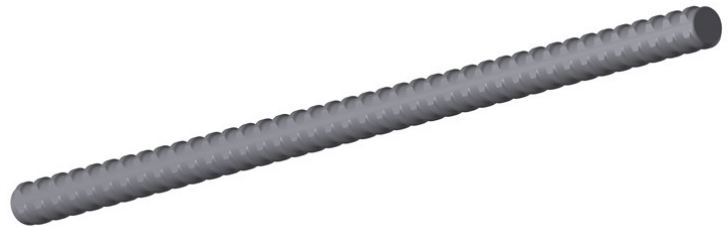
Article No.	Description	Weight (kg)
200767	Swivel Coupler DK2 60/48	1.42



Basic Technical Information:
Permissible Slip Resistance: 6.0kN

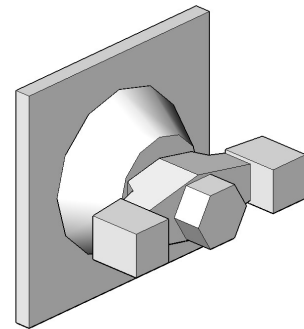
PERI Independent System Components - Ties DW15

Article No.	Description	Weight (kg)
200977	Tie Rod DW15, Spec. Length	1.44

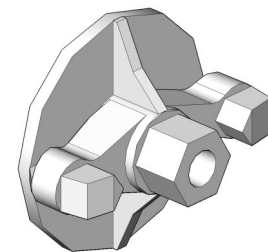


Basic Technical Information:
Permissible Tension Load: 90kN

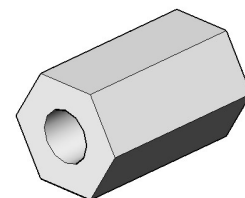
Article No.	Description	Weight (kg)
200693	Wingnut Pivot Plate DW15	1.66



Article No.	Description	Weight (kg)
200903	Wingnut Counter Plate DW15	1.44

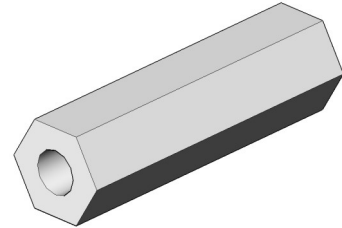


Article No.	Description	Weight (kg)
200354	Hex Nut DW15 SW 30/50 Weldable	0.23

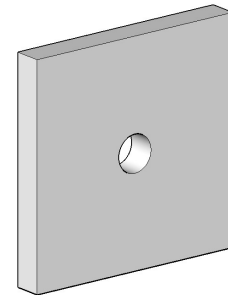


PERI Independent System Components - Ties DW15

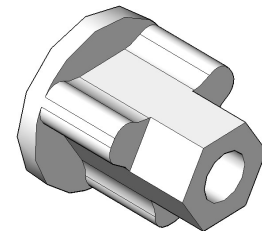
Article No.	Description	Weight (kg)
200568	Hex Nut DW15 SW 30/108 Weldable	0.43



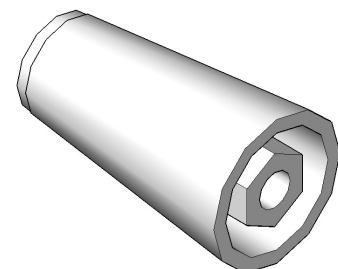
Article No.	Description	Weight (kg)
200539	Steel Plate DW15 120x120x15	1.70



Article No.	Description	Weight (kg)
030130	Cam Nut DW15	0.32

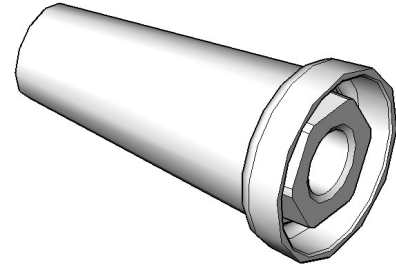


Article No.	Description	Weight (kg)
200980	Steel-Plastic Cone DW15	0.40

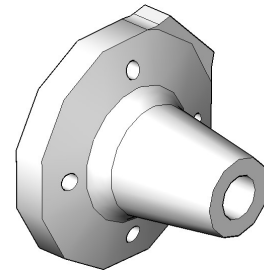


PERI Independent System Components - Ties DW15

Article No.	Description	Weight (kg)
031220	Climbing Cone M24/DW15	

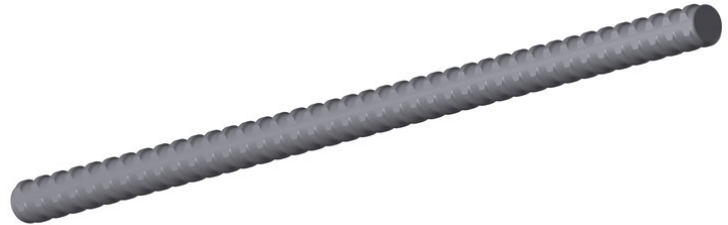


Article No.	Description	Weight (kg)
200280	Threaded Anchor Plate DW15	



PERI Independent System Components - Ties DW20

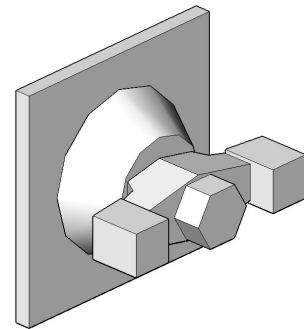
Article No.	Description	Weight (kg)
200418	Tie Rod DW20, Spec. Length	2.56



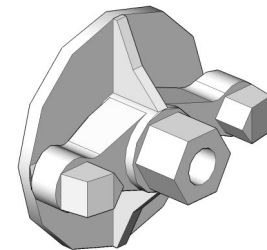
Basic Technical Information:

Permissible Tension Load: 150kN

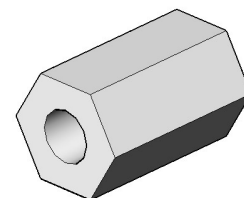
Article No.	Description	Weight (kg)
200978	Wingnut Pivot Plate DW20	2.22



Article No.	Description	Weight (kg)
200567	Wingnut Counter Plate DW20	1.54

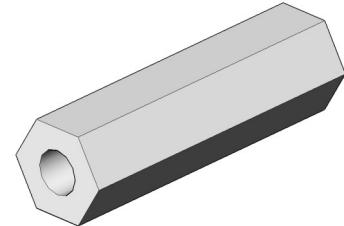


Article No.	Description	Weight (kg)
200562	Hex Nut DW20 SW 36/60 Weldable	0.34

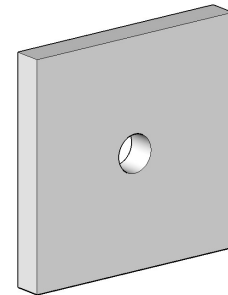


PERI Independent System Components - Ties DW20

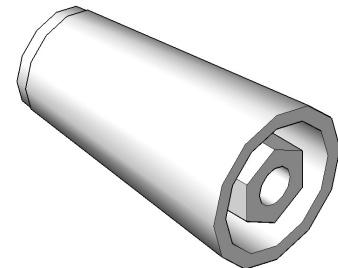
Article No.	Description	Weight (kg)
200566	Hex Nut DW20 SW 36/110 Weldable	0.63



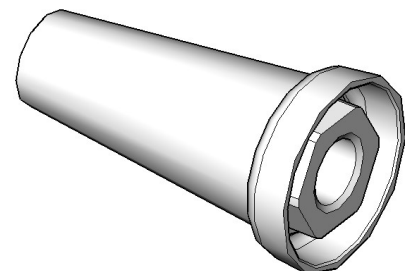
Article No.	Description	Weight (kg)
200538	Counterplate DW20 200x200x20	6.24



Article No.	Description	Weight (kg)
200979	Steel-Plastic Cone DW20	0.60

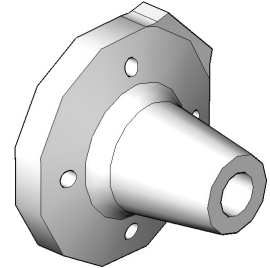


Article No.	Description	Weight (kg)
030920	Climbing Cone M30/DW20	



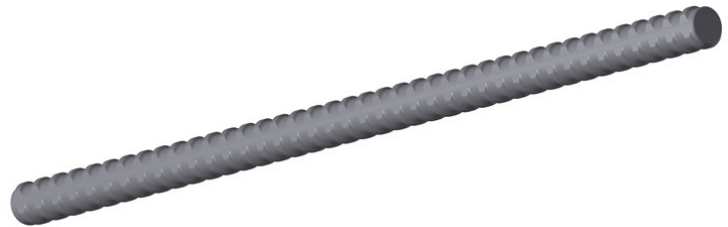
PERI Independent System Components - Ties DW20

Article No.	Description	Weight (kg)
201222	Threaded Anchor Plate DW20	



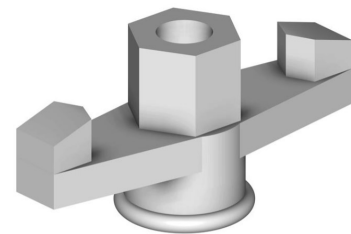
PERI Independent System Components - Ties DW26

Article No.	Description	Weight (kg)
200384	Tie Rod DW26, Spec. Length	4.48

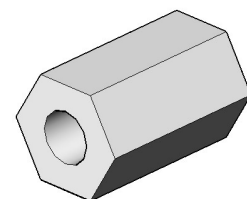


Basic Technical Information:
Permissible Tension Load: 250kN

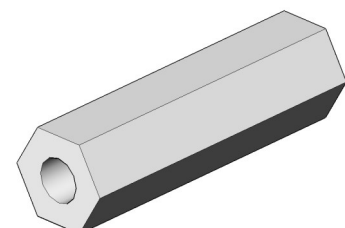
Article No.	Description	Weight (kg)
200565	Wingnut DW26	0.90



Article No.	Description	Weight (kg)
200563	Hex Nut DW26 SW 46/80 Weldable	0.74

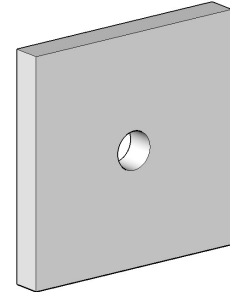


Article No.	Description	Weight (kg)
200564	Hex Nut DW26 SW 46/150 Weldable	1.36

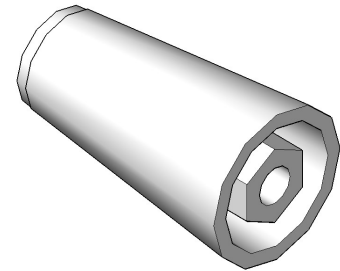


PERI Independent System Components - Ties DW26

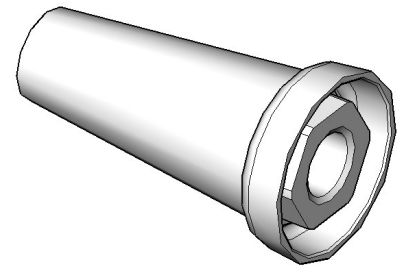
Article No.	Description	Weight (kg)
200540	Steel Plate DW26 120x120x20	2.26



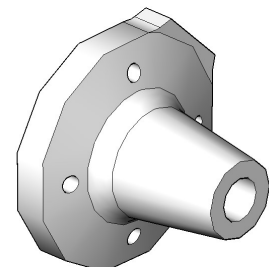
Article No.	Description	Weight (kg)
200570	Steel Cone DW26	1.49



Article No.	Description	Weight (kg)
030940	Climbing Cone M36/DW26	



Article No.	Description	Weight (kg)
200572	Threaded Anchor Plate	



PERI Independent System Components - Plywood

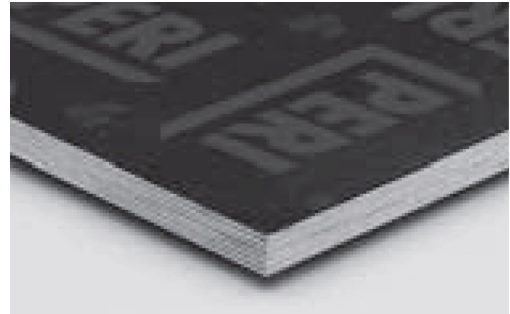
Article No.	Description	Weight (kg)
-------------	-------------	-------------

052805	PERI Birch 18mm 1220x2440	37.51
--------	---------------------------	-------

Typical number of reuse: up to 50 times
 Actual number of reuse will vary based on site conditions.

Basic Technical Information:

Thickness: 18mm
 Coating: 120g/m²
 Weight: 12.78kg/m²



Article No.	Description	Weight (kg)
-------------	-------------	-------------

055064	PERI T-Plex 18mm 1220x2440	37.72
--------	----------------------------	-------

Typical number of reuse: up to 15 times
 Actual number of reuse will vary based on site conditions.

Basic Technical Information:

Thickness: 18mm
 Coating: 125g/m²
 Weight: 12.70kg/m²



Article No.	Description	Weight (kg)
-------------	-------------	-------------

050750	Eukafilm WBP 18mm 1220x2440	31.65
--------	-----------------------------	-------

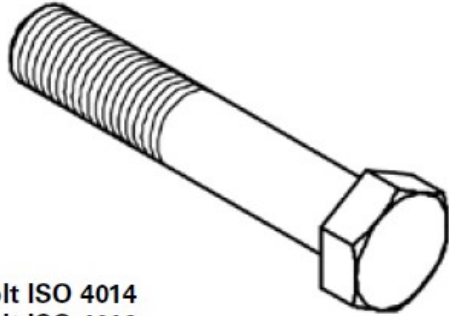
Typical number of reuse: up to 10 times
 Actual number of reuse will vary based on site conditions.

Basic Technical Information:

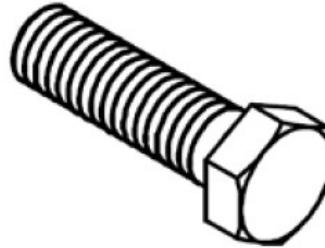
Thickness: 18mm
 Coating: 180-200g/m²
 Weight: 11.00kg/m²



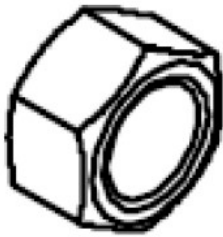
PERI Independent System Components - Bolts & Nuts



Bolt ISO 4014
Bolt ISO 4016
(length of thread - see standard)



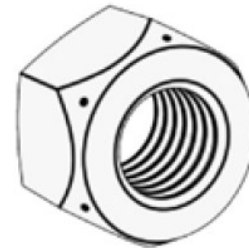
Bolt ISO 4017



Nut ISO 4032



Nut ISO 7040
(self-locking)



Nut ISO 7042
(self-locking)

PERI Independent System Components - Bolts & Nuts

M10	
200310	Hex Bolt ISO4017 M10x25-8.8
200581	Hex Bolt ISO4017 M10x30-8.8
201011	Hex Bolt ISO4017 M10x35-8.8
200841	Hex Bolt ISO4017 M10x45-8.8
201054	Hex Bolt ISO4017 M10x55-8.8
200050	Hex Bolt ISO4014 M10x70-8.8
201233	Hex Bolt ISO4017 M10x80-8.8
200842	Hex Bolt ISO4017 M10x90-8.8
200975	Hex Bolt ISO4014 M10x100-8.8
200013	Hex Nut ISO4032 M10-8
200877	Hex Nut ISO7040 M10-8
200066	Washer M10

M12	
200051	Hex Bolt ISO4017 M12x25-8.8
200191	Hex Bolt ISO4017 M12x35-8.8
200536	Hex Bolt ISO4017 M12x40-8.8
200974	Hex Bolt ISO4017 M12x45-10.9
200048	Hex Bolt ISO4014 M12x50-8.8
200049	Hex Bolt ISO4014 M12x60-8.8
201301	Hex Bolt ISO4014 M12x70-8.8
200329	Hex Bolt ISO4014 M12x100-8.8
200330	Hex Bolt ISO4014 M12x110-8.8
201014	Hex Bolt ISO4017 M12x120-8.8
200614	Hex Bolt ISO4016 M12x140-8.8
201410	Hex Bolt ISO4016 M12x200-8.8
200047	Hex Nut ISO4032 M12-8
200067	Washer M12

M16	
200193	Hex Bolt ISO4017 M16x40-8.8
200044	Hex Bolt ISO4017 M16x45-8.8
200192	Hex Bolt ISO4017 M16x50-8.8
200968	Hex Bolt ISO4017 M16x55-8.8
200052	Hex Bolt ISO4014 M16x60-8.8
200672	Hex Bolt ISO4017 M16x60-8.8
200871	Hex Bolt ISO4017 M16x70-8.8
200544	Hex Bolt ISO4017 M16x80-10.9
200671	Hex Bolt ISO4017 M16x90-8.8
200053	Hex Bolt ISO4014 M16x100-8.8
200981	Hex Bolt ISO4014 M16x120-8.8
200670	Hex Bolt ISO4014 M16x150-8.8
200045	Hex Bolt ISO4014 M16x160-8.8
201161	Hex Bolt ISO4016 M16x280-8.8
201256	F.H. Hex Bolt M16x50-10.9
200046	Hex Nut ISO4032 M16-8
200969	Hex Nut ISO7040 M16-8
200068	Washer M16

PERI Independent System Components - Bolts & Nuts

M20	
200854	Hex Bolt ISO4017 M20x40-8.8
201017	Hex Bolt ISO4017 M20x45-8.8
200101	Hex Bolt ISO4017 M20x50-8.8
200032	Hex Bolt ISO4017 M20x60-8.8
200002	Hex Bolt ISO4014 M20x65-8.8
200331	Hex Bolt ISO4017 M20x70-8.8
200668	Hex Bolt ISO4014 M20x80-8.8
200033	Hex Bolt ISO4014 M20x90-8.8
200054	Hex Bolt ISO4014 M20x100-8.8
200034	Hex Bolt ISO4014 M20x110-8.8
200710	Hex Bolt ISO4014 M20x110-10.9
200071	Hex Bolt ISO4014 M20x120-8.8
200055	Hex Bolt ISO4014 M20x130-8.8
200056	Hex Bolt ISO4014 M20x130-10.9
201234	Hex Bolt ISO4014 M20x140-8.8
200442	Hex Bolt ISO4014 M20x150-8.8
200970	Hex Bolt ISO4014 M20x150-10.9
200107	Hex Bolt ISO4014 M20x160-8.8
200675	Hex Bolt ISO4014 M20x170-8.8
200676	Hex Bolt ISO4014 M20x200-8.8
200003	Hex Nut ISO7042 M20-8
200035	Hex Nut ISO4032 M20-8
200036	Washer M20

M36	
200976	Hex Bolt ISO4017 M36x70-8.8
200972	Hex Bolt ISO4017 M36x70-10.9
201074	Hex Bolt ISO4017 M36x80-8.8
201729	Hex Bolt ISO4017 M36x110-8.8
200382	Hex Bolt ISO4014 M36x130-10.9
201730	Hex Bolt ISO4017 M36x180-8.8
201712	Hex Bolt ISO4017 M36x180-10.9
200711	Hex Nut ISO4032 M36-8
200712	Washer M36

M24	
200480	Hex Bolt ISO4017 M24x50-10.9
200076	Hex Bolt ISO4017 M24x60-8.8
200543	Hex Bolt ISO4014 M24x65-10.9
200102	Hex Bolt ISO4017 M24x70-8.8
200060	Hex Bolt ISO4014 M24x70-10.9
200582	Hex Bolt ISO4017 M24x70-10.9
200073	Hex Bolt ISO4014 M24x80-8.8
200667	Hex Bolt ISO4017 M24x80-10.9
200432	Hex Bolt ISO4014 M24x80-10.9
200666	Hex Bolt ISO4017 M24x90-10.9
200665	Hex Bolt ISO4017 M24x100-10.9
200057	Hex Bolt ISO4014 M24x120-8.8
200061	Hex Bolt ISO4014 M24x120-10.9
200332	Hex Bolt ISO4014 M24x130-8.8
200664	Hex Bolt ISO4014 M24x130-10.9
200058	Hex Bolt ISO4014 M24x140-8.8
200062	Hex Bolt ISO4014 M24x140-10.9
200059	Hex Bolt ISO4014 M24x150-8.8
200333	Hex Bolt ISO4014 M24x160-8.8
200064	Hex Nut ISO4032 M24-8
201735	Hex Nut ISO7040 M24-8
200069	Washer M24

M30	
200075	Hex Bolt ISO4017 M30x70-8.8
200437	Hex Bolt ISO4017 M30x75-10.9
200063	Hex Bolt ISO4017 M30x100-8.8
200872	Hex Bolt ISO4017 M30x110-10.9
200106	Hex Bolt ISO4017 M30x120-8.8
201422	Hex Bolt ISO4017 M30x140-8.8
201270	Hex Bolt ISO4014 M30x200-10.9
200541	Hex Bolt ISO4017 M30x240-10.9
200542	Hex Bolt ISO4017 M30x350-10.9
200065	Hex Nut ISO4032 M30-8
201423	Hex Nut ISO7042 M30-8
200070	Washer M30

