



Tips

for ensuring smooth construction progress

- Align the holes on endplates of Standard, Connector and Screw Jack for fixing the bolts, item no. 200710.
- Use braces on Screw Jack under high load requirements.
- Use with other PERI systems for access and safety requirement.
- More information can be found in the HDS Product Brochure.

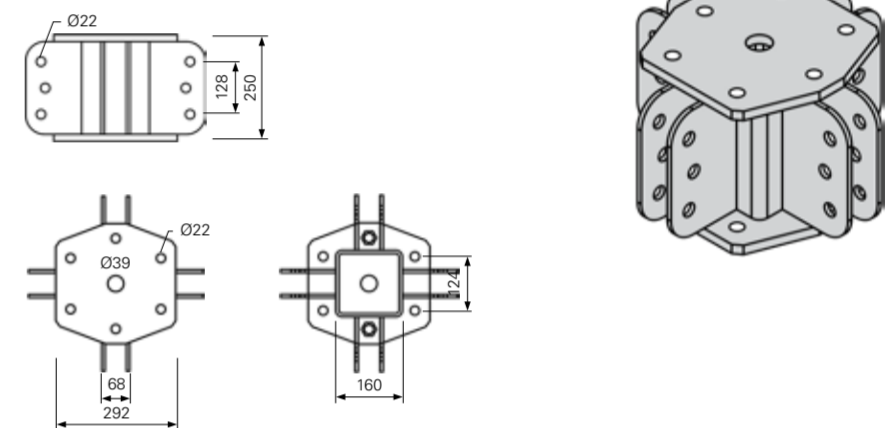
Without exception, all current safety regulations must be observed in those countries where our products are used.

Features

- Proven load-bearing capacity of 1,000 kN per leg with a safety factor of 2
- Efficient assembly with only 2 standard connections
- Flexible configuration of horizontals and verticals to facilitate all dimensions
- Highly suitable for the construction of pre-cast segmental bridges, especially for height of 15m and above
- Compatible with SLS Spindles & RCS bracings (Eye Nut and Articulated Spanner)
- Only 5 types of components

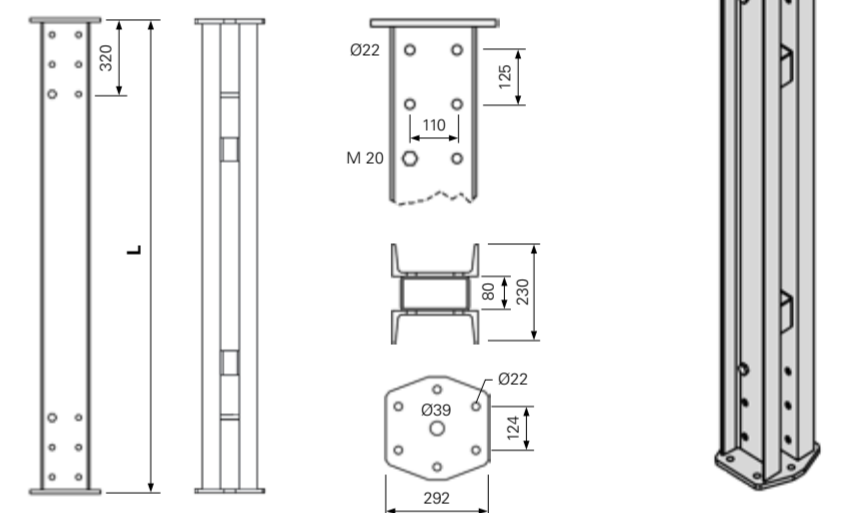
1. Connector

For rigid connection of HDS standards.



3. Standard

Standard length 1000mm - 4000mm.

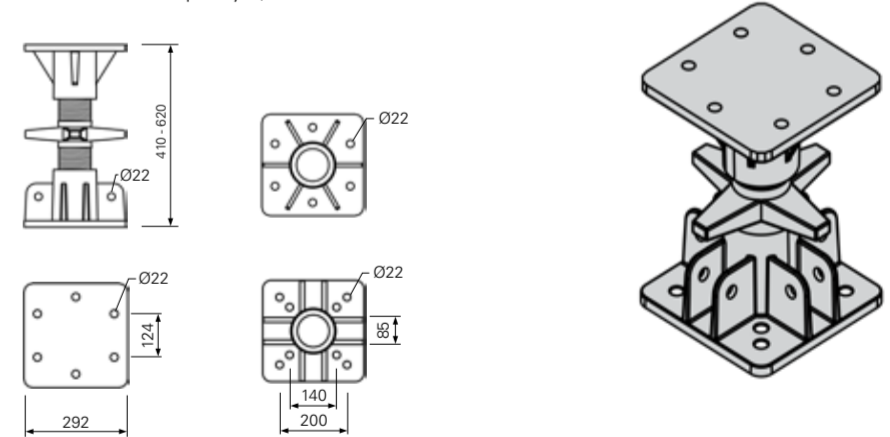


Optional

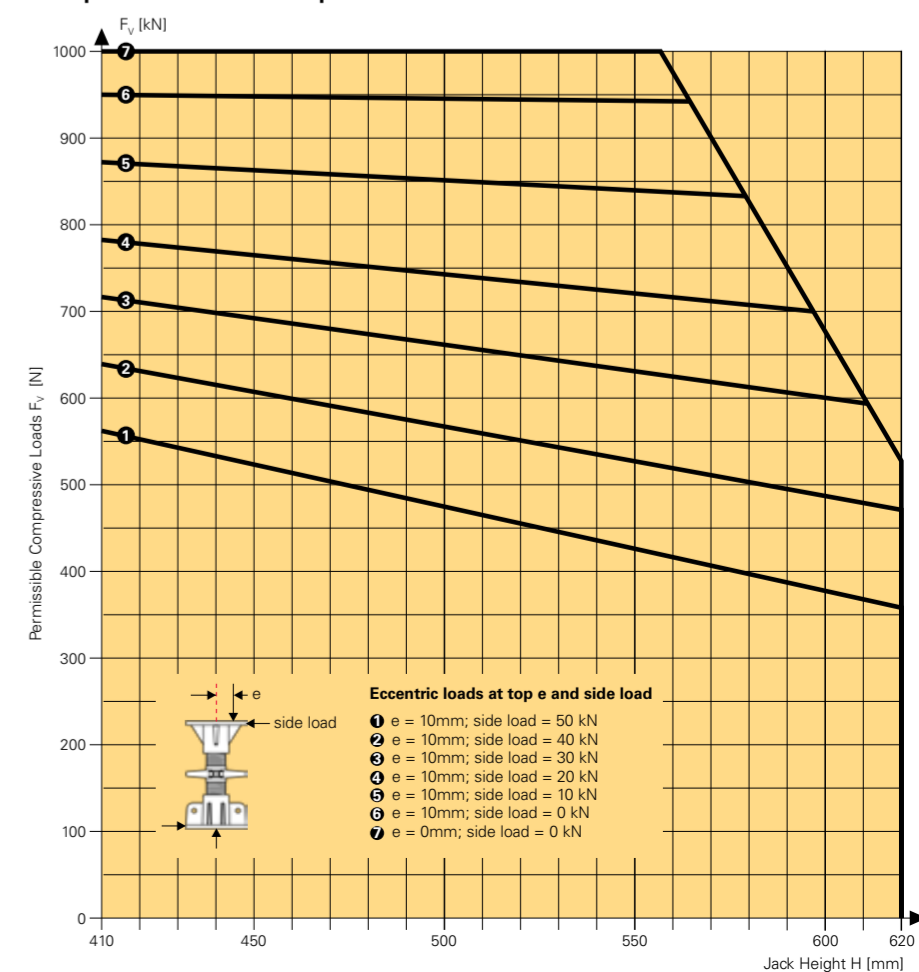
L [mm]	110	200
HDS Standard	For extending HDS Standard and attaching HDS Connector to VST Screw Jack.	For extending HDS Standard.
Item no.	200586	200587
Weight	24.70 kg	29.38 kg

5. Screw Jack

For top and bottom connections with adjustable leveling. Maximum load capacity 1,000 kN.



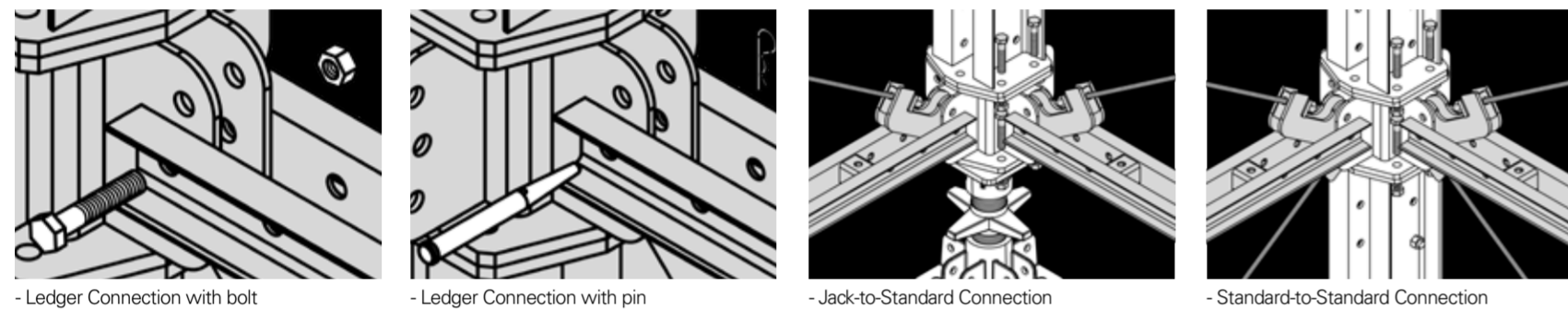
Graph for Permissible Compressive Loads



HDS

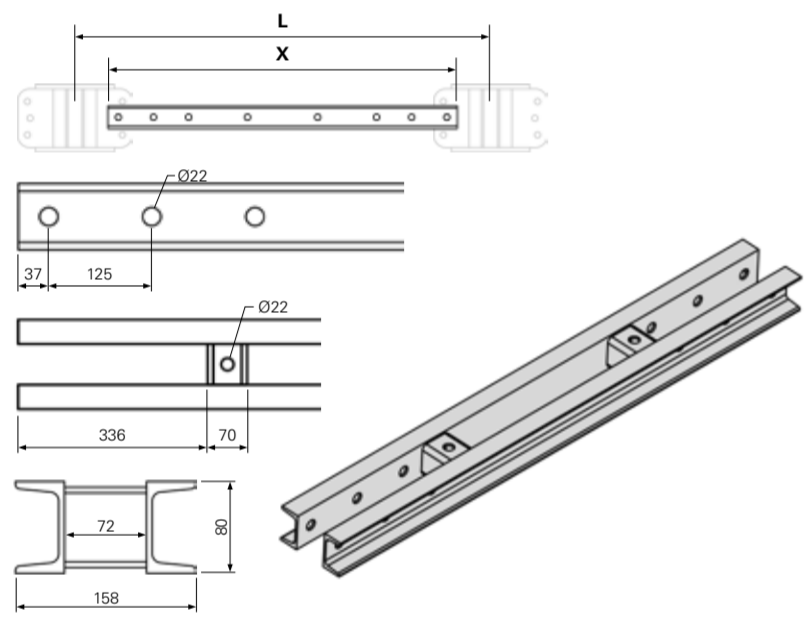
The Modular 1,000kN Shoring System

Simple connection of core components



2. Ledger

Ledger length 1242 mm - 4242 mm. All lengths below 80.00 kg and thus man-handlable.

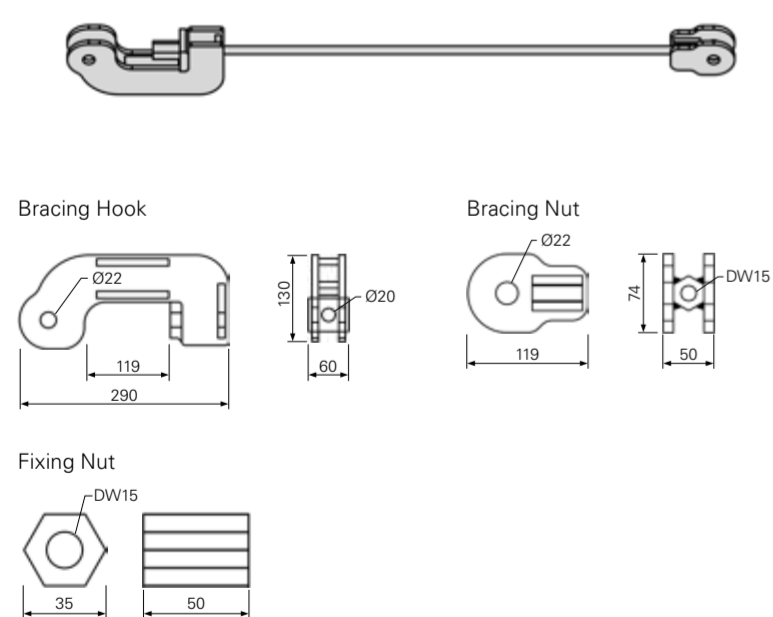


Optional

L [mm]	500	500 Rigid
HDS Ledger		For rigidly connecting HDS lower element without diagonal bracings, for crane-lifting.
X	240mm	240mm
Item no.	200584	200709
Weight	1.64 kg	4.40 kg

4. Bracing

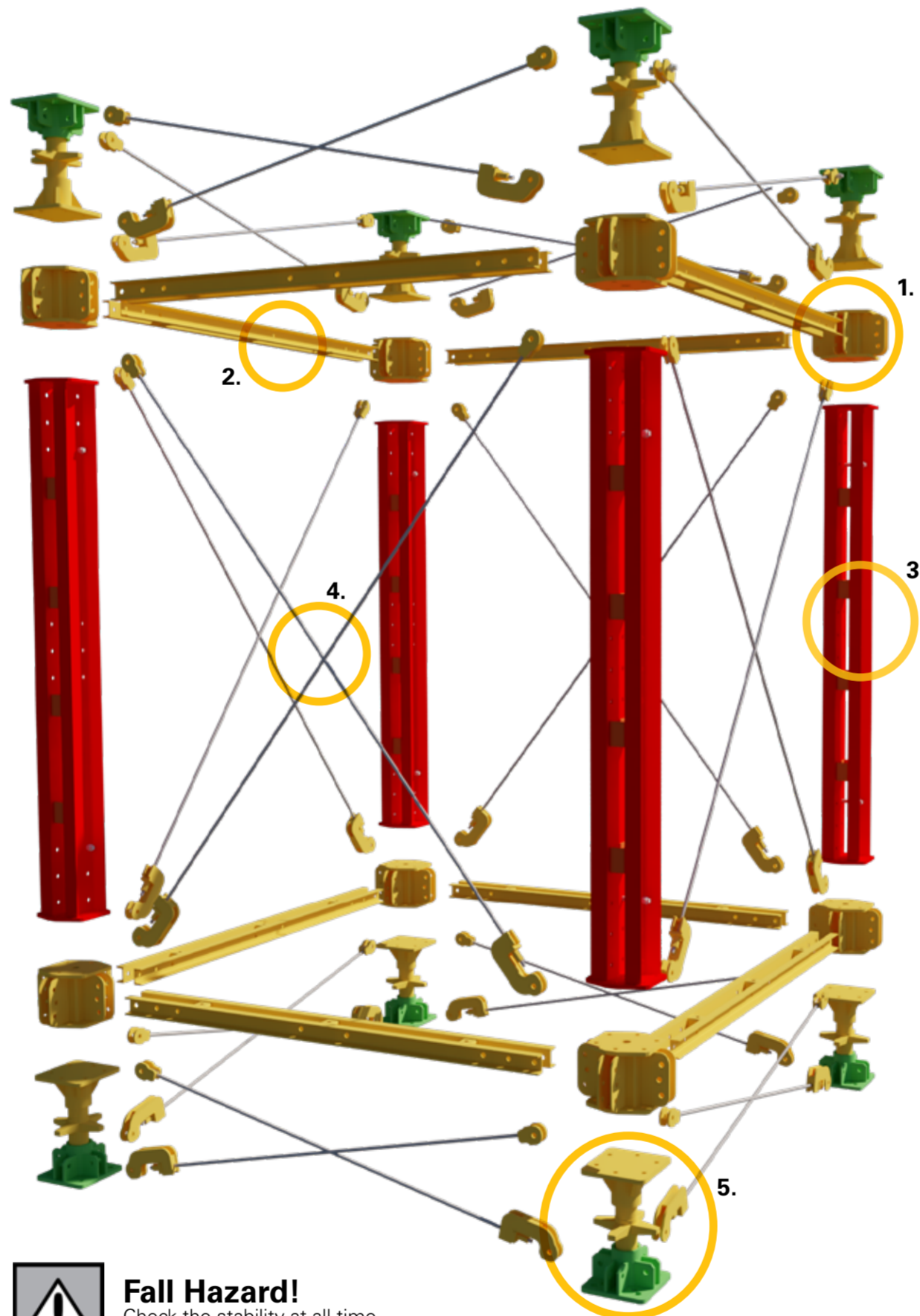
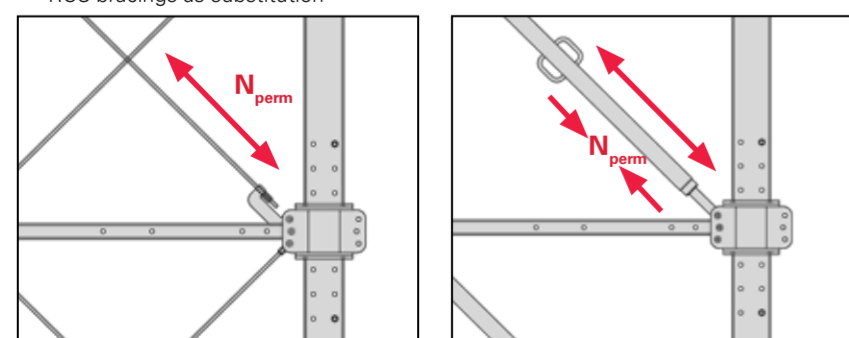
For tensioning and as an articulated connection to the HDS Connector, Screw Jack or Standard for bracing with tie-rods DW15.



Bracing Connections

- ### HDS Bracings
- Tension only
 - RCS bracings as substitution

- ### SLS Spindle Bracings
- Tension & Compression



Fall Hazard!

Check the stability at all time.

Ground Plan

The HDS ground plan is available in dimension of 1.5m up to 4.5m in 50cm increments.

